



STYLE[®] X PRESS
Seating On Demand

is a division of Style Ergonomics Australia Pty Ltd

CATALOGUE

2024-2025

Effective on 01/07/2024

NSW | VIC | QLD | WA | HONG KONG | CHINA



Warranty period for chairs and lounges



Weight rating for individual chairs and lounges*



Fully imported Chairs, lounges, parts and components.



The Performance criteria adopted for certification by Furntech is based on Australian standards, e.g. Level 6 - Severe commercial and heavy industrial.*

**Weight limits are self-rated by Style Ergonomic Australia. AFRDI approved chairs are normally rated to 110kg.*

AFRDI 142
Certification



ARFDI rating for multi shift use and 160kg weight limit.



Furntech is an independent not-for-profit technical organisation providing standards, testing product certification and research for buyers and sellers of furniture.



BIFMA is a third-party certification program that provides manufacturers with valuable feedback for evaluating the environmental, human, and social impacts of their furniture products for manufacturing, facility, and organisation.



All instructions of use are instructed while sitting in the chair.

CONTENTS

R1 - TASK MESH SEATING

Intro range	4
Yarra range	6
Rio range	8
Hino range	10
Fuse range	12
Brent range	14

R2 - TASK SEATING

P350 range	16
Aqua range	18
TR600 range	20
Spot range	22
Newton range	24

R3 - BOARDROOM SEATING

Trent range	26
Dela range	28
Gala range	30
Web range	32
Volt range	34

R4 - MULTI SHIFT SEATING

Rover range	36
Oyster range	38
Ranger range	40
Impact range	42
Raptor range	44
Corsa range	46
Stanza range	48

R5 - EXECUTIVE MESH SEATING

Gibbs range	50
Draft range	52
Bolt range	54
Miami range	56
Bragg range	58
Kube range	60
Razor range	62
Mitz range	64
Ivory range	66
Baxter range	68
Evita range	70
Zodiac range	72
Ergo-1 range	74

R6 - EXECUTIVE SEATING

Hilton range	76
Cruz range	78
Boston range	80
Camry range	82
Siena range	84
Select range	86
Magnum range	88
Captain range	90

R7 - HOSPITALITY SEATING

Focus range	92
Aria range	94
Pod range	95
Vinn range	96
Neo range	98
Rose range	99

R8 - BREAKOUT SEATING

Raven range	100
Mia range	101
Tonic range	102
Oscar range	103
Ram range	104
Nox range	105

R9 - SOFT SEATING

Blitz range	106
Rivet range	107
Jaden range	108
Plaza range	109

R10 - INDUSTRIAL STOOLS

State range	110
Cad range	112
Stage range	113

INTRO RANGE

INSTRUCTION OF USE

INDOOR USE ONLY

LEVER

Twist to adjust seat height
Pull to adjust seat and back angle

FRONT KNOB

To adjust weight tension

600MM BLACK NYLON 5 STAR BASE WITH CASTORS

Use soft tyred castors for tiles
Use hard tyred castors for carpet



X Do not use as a step ladder

DIMENSIONS: (mm)

BACK

W: 490

H: 430

BACK TO FLOOR

Lowest: 910

Highest: 1005

SEAT

W: 490

D: 480

SEAT TO FLOOR

Lowest: 480

Highest: 575

ARM TO FLOOR

Lowest: 625

Highest: 720



INTRO-BLACK



Side view



Back view

Features:

Adjustable seat height
Adjustable seat and back angle
Adjustable weight tension

Fixed arms
Butterfly mechanism
600mm black nylon 5 star base

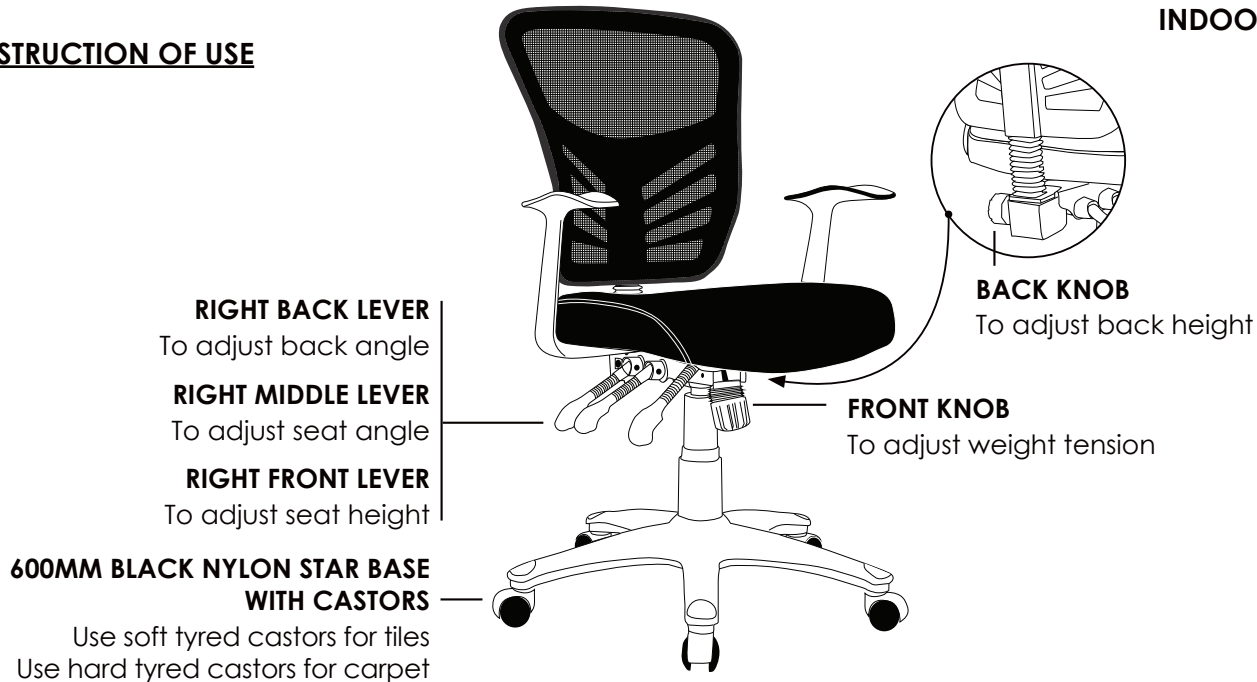


Available in black only
Suitable for indoor use only

YARRA RANGE

INSTRUCTION OF USE

INDOOR USE ONLY



X Do not use as a step ladder

DIMENSIONS: (mm)

BACK

W: 490

H: 510

BACK TO FLOOR

Lowest: 950

Highest: 1050

SEAT

W: 500

D: 515

SEAT TO FLOOR

Lowest: 470

Highest: 570

ARM TO FLOOR

Lowest: 620

Highest: 720



YARRA



Side view



Back view

Features:

Adjustable seat height
Adjustable back height
Adjustable seat and back angle
Adjustable weight tension

Fixed arms
3 lever ergonomic mechanism
600mm black nylon 5 star base

Available in black only
Suitable for indoor use only



RIO RANGE

INSTRUCTION OF USE

To adjust back height hold back with two hands while seated and raise to desired height

To lower the back height raise back all the way to the top and release slowly

RIGHT BACK LEVER
To adjust back angle

RIGHT FRONT LEVER
To adjust seat height

600MM BLACK NYLON 5 STAR BASE WITH CASTORS

Use soft tyred castors for tiles
Use hard tyred castors for carpet



INDOOR USE ONLY

OPTIONAL ADJUSTABLE ARMS

LEFT LEVER
To adjust seat angle

X Do not use as a step ladder

DIMENSIONS: (mm)

LOW BACK LOW BACK TO FLOOR

W: 430 Lowest: 925
H: 450 Highest: 1120

HIGH BACK HIGH BACK TO FLOOR

W: 455 Lowest: 1010
H: 530 Highest: 1210

SEAT SEAT TO FLOOR

W: 500 Lowest: 485
D: 460 Highest: 625

ARM TO FLOOR

Lowest: 630
Highest: 840



RIO-H



RIO-HC



RIO-L

RIO-LC



Features:

- Adjustable seat height
- Adjustable back height (ratchet)
- Adjustable seat and back angle
- Moulded seat foam
- Java seat

- 3 lever ergonomic mechanism
- 600mm black nylon 5 star base
- Available in Metro black only
- AFRDI tested to level 6
- Suitable for indoor use only



Optional drafting kit

HINO RANGE

INSTRUCTION OF USE

To adjust back height hold back with two hands while seated and raise to desired height

To lower the back height raise back all the way to the top and release slowly

RIGHT BACK LEVER

To adjust back angle

RIGHT MIDDLE LEVER

To adjust seat angle

RIGHT FRONT LEVER

To adjust seat height

700MM BLACK NYLON 5 STAR BASE WITH CASTORS

Use soft tyred castors for tiles
Use hard tyred castors for carpet



INDOOR USE ONLY

**OPTIONAL
ADJUSTABLE ARMS**

FRONT KNOB
To adjust weight tension

X Do not use as a step ladder

DIMENSIONS: (mm)

BACK

W: 450

H: 530

BACK TO FLOOR

Lowest: 1025

Highest: 1150

SEAT

W: 560

D: 510

SEAT TO FLOOR

Lowest: 520

Highest: 600

ARM TO FLOOR

Lowest: 665

Highest: 830



HINO



HINO-C



Back view



Features:

Adjustable seat height
 Adjustable back height (ratchet)
 Adjustable seat and back angle
 Adjustable weight tension

Moulded seat foam
 Mega big boy seat
 3 lever heavy duty ergonomic mechanism
 700mm black nylon 5 star base

Available in Metro black only
 AFRDI tested to level 6
 Suitable for indoor use only

FUSE RANGE

INSTRUCTION OF USE

To adjust back height hold back with two hands while seated and raise to desired height

To lower the back height raise back all the way to the top and release slowly

RIGHT BACK LEVER
To adjust back angle

RIGHT MIDDLE LEVER
To adjust seat angle

RIGHT FRONT LEVER
To adjust seat height

700MM BLACK NYLON 5 STAR BASE WITH CASTORS

Use soft tyred castors for tiles
Use hard tyred castors for carpet



INDOOR USE ONLY

**OPTIONAL
ADJUSTABLE ARMS**

LEFT LEVER
To adjust seat depth
(Build-in seat slider)

FRONT KNOB
To adjust weight tension

X Do not use as a step ladder

DIMENSIONS: (mm)

BACK

W: 490

H: 465

BACK TO FLOOR

Lowest: 1070

Highest: 1225

SEAT

W: 530

D: 465

SEAT TO FLOOR

Lowest: 535

Highest: 615

ARM TO FLOOR

Lowest: 685

Highest: 830



FUSE



FUSE-C



Back view



Features:

Adjustable seat height
Adjustable back height (ratchet)
Adjustable back and seat angle
Adjustable weight tension

Adjustable seat depth (build-in seat slider)
Moulded seat foam
Big boy seat
3 lever ergonomic heavy duty mechanism

700mm black nylon 5 star base
Available in Metro black only
AFARDI tested to level 6
Suitable for indoor use only

BRENT RANGE

INSTRUCTION OF USE

To adjust back height hold back with two hands while seated and raise to desired height

To lower the back height raise back all the way to the top and release slowly

RIGHT BACK LEVER

To adjust back angle

RIGHT MIDDLE LEVER

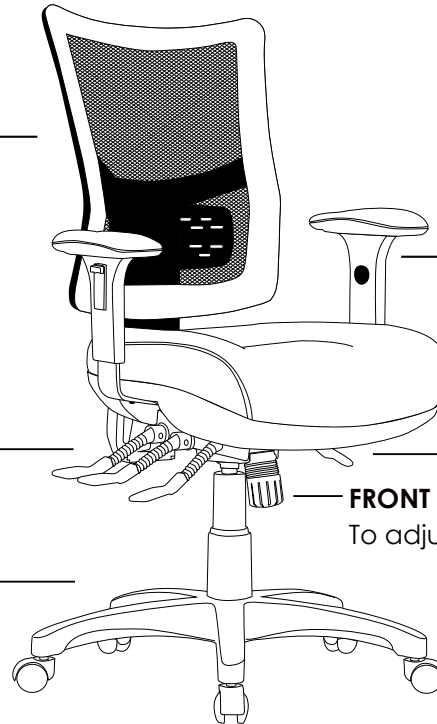
To adjust seat angle

RIGHT FRONT LEVER

To adjust seat height

700MM BLACK NYLON 5 STAR BASE WITH CASTORS

Use soft tyred castors for tiles
Use hard tyred castors for carpet



INDOOR USE ONLY

**OPTIONAL
ADJUSTABLE ARMS**

LEFT LEVER

To adjust seat depth
(Build-in seat slider)

FRONT KNOB

To adjust weight tension

X Do not use as a step ladder

DIMENSIONS: (mm)

BACK

W: 490

H: 525

BACK TO FLOOR

Lowest: 1055

Highest: 1210

SEAT

W: 530

D: 465

SEAT TO FLOOR

Lowest: 535

Highest: 615

ARM TO FLOOR

Lowest: 685

Highest: 830



BRENT



BRENT-C



Back view



Features:

- Adjustable seat height
- Adjustable back height (ratchet)
- Adjustable back and seat angle
- Adjustable weight tension
- Adjustable seat depth (build-in seat slider)

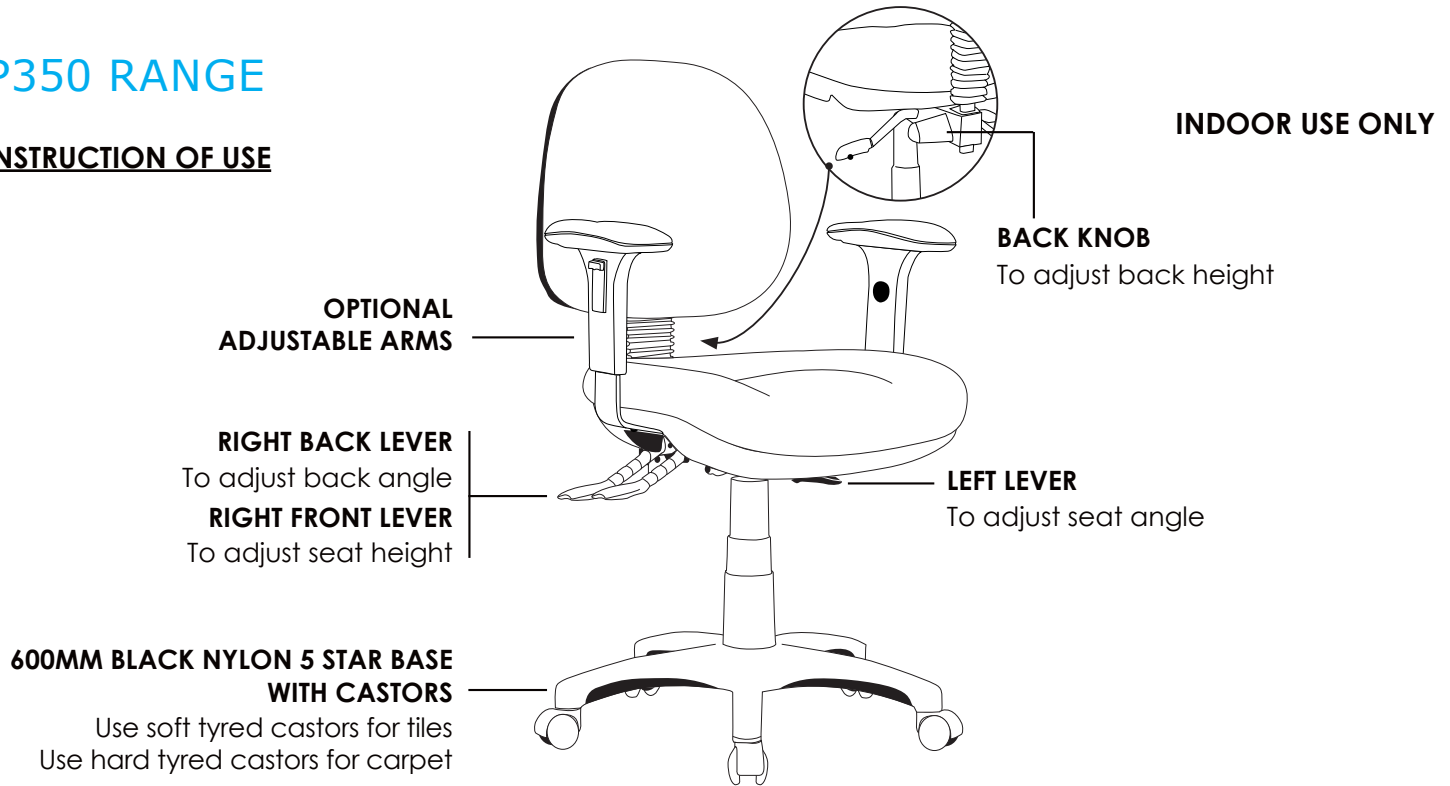
- Adjustable lumbar support
- Moulded seat foam
- Big boy seat
- 3 lever ergonomic heavy duty mechanism

- 700mm black nylon 5 star base
- Available in Metro black only
- AFRDI tested to level 6
- Suitable for indoor use only

P350 RANGE

INSTRUCTION OF USE

INDOOR USE ONLY



DIMENSIONS: (mm)

LOW BACK	LOW BACK TO FLOOR	HIGH BACK	HIGH BACK TO FLOOR	SEAT	SEAT TO FLOOR	ARM TO FLOOR
W: 440	Lowest: 860	W: 450	Lowest: 950	W: 500	Lowest: 480	Lowest: 630
H: 400	Highest: 1045	H: 510	Highest: 1150	D: 460	Highest: 625	Highest: 840



P350H-MB



P350HC-MB



P350-MB

P350C-MB

Features:

Adjustable seat height
Adjustable back height
Adjustable seat and back angle
Moulded seat and back foam
Java seat

3 lever ergonomic mechanism
600mm black nylon 5 star base
Available in Metro black only
AFRDI tested to level 6
Suitable for indoor use only



Optional drafting kit

AQUA RANGE

INSTRUCTION OF USE

To adjust back height hold back with two hands while seated and raise to desired height

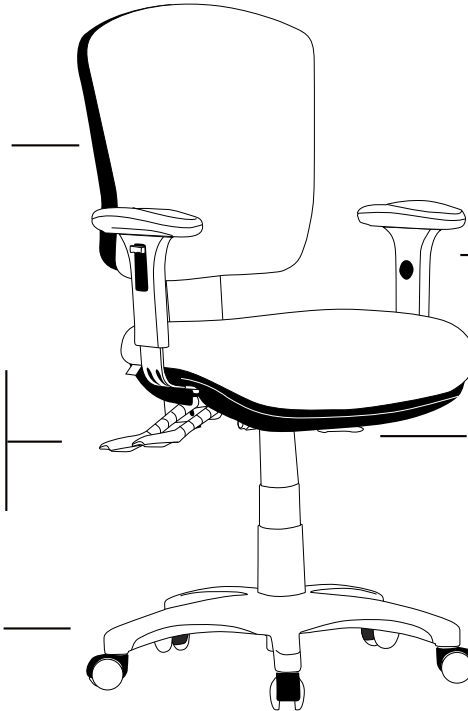
To lower the back height raise back all the way to the top and release slowly

RIGHT BACK LEVER
To adjust back angle

RIGHT FRONT LEVER
To adjust seat height

600MM BLACK NYLON 5 STAR BASE WITH CASTORS

Use soft tyred castors for tiles
Use hard tyred castors for carpet



INDOOR USE ONLY

**OPTIONAL
ADJUSTABLE ARMS**

LEFT LEVER
To adjust seat angle

X Do not use as a step ladder

DIMENSIONS: (mm)

LOW BACK LOW BACK TO FLOOR

W: 460 Lowest: 850
H: 440 Highest: 1060

HIGH BACK HIGH BACK TO FLOOR

W: 470 Lowest: 950
H: 540 Highest: 1170

SEAT

W: 500
D: 460

SEAT TO FLOOR

Lowest: 485
Highest: 625

ARM TO FLOOR

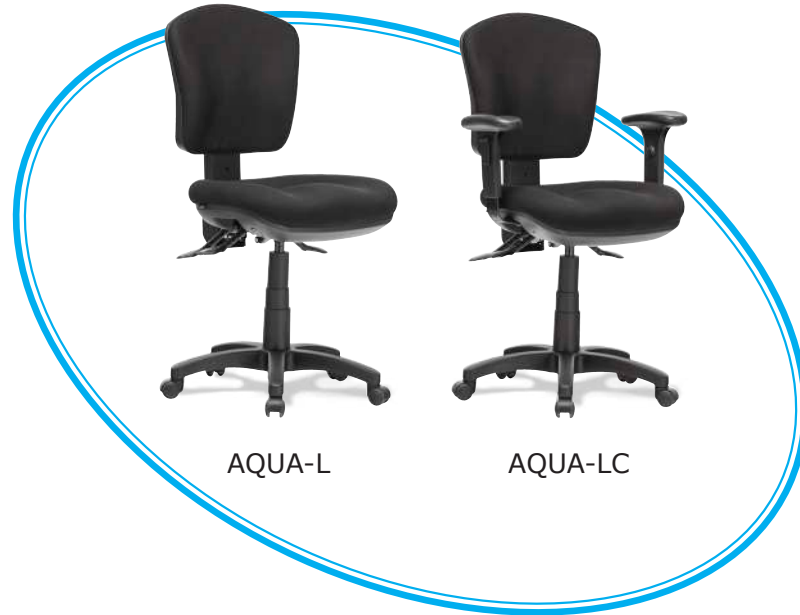
Lowest: 630
Highest: 840



AQUA-H



AQUA-HC



AQUA-L

AQUA-LC

Features:

Adjustable seat height
Adjustable back height (ratchet)
Adjustable seat and back angle
Moulded seat and back foam
Java seat

3 lever ergonomic mechanism
600mm black nylon 5 star base
Available in Metro black only
AFRDI tested to level 6
Suitable for indoor use only



Optional drafting kit

TR600 RANGE

INSTRUCTION OF USE

To adjust back height hold back with two hands while seated and raise to desired height

To lower the back height raise back all the way to the top and release slowly

RIGHT BACK LEVER

To adjust back angle

RIGHT MIDDLE LEVER

To adjust seat angle

RIGHT FRONT LEVER

To adjust seat height

700MM BLACK NYLON 5 STAR BASE WITH CASTORS

Use soft tyred castors for tiles
Use hard tyred castors for carpet



INDOOR USE ONLY

**OPTIONAL
ADJUSTABLE ARMS**

FRONT KNOB
To adjust weight tension

X Do not use as a step ladder

DIMENSIONS: (mm)

BACK

W: 490

H: 580

BACK TO FLOOR

Lowest: 1080

Highest: 1240

SEAT

W: 560

D: 510

SEAT TO FLOOR

Lowest: 520

Highest: 600

ARM TO FLOOR

Lowest: 665

Highest: 830



TR600



TR600-C



Back view



Features:

- Adjustable seat height
- Adjustable back height (ratchet)
- Adjustable seat and back angle
- Adjustable weight tension

- Moulded seat and back foam
- Mega big boy seat
- 3 lever heavy duty ergonomic mechanism
- 700mm black nylon 5 star base

- Available in Metro black only
- AFRDI tested to level 6
- Suitable for indoor use only

SPOT RANGE

INSTRUCTION OF USE

To adjust back height hold back with two hands while seated and raise to desired height

To lower the back height raise back all the way to the top and release slowly

RIGHT BACK LEVER

To adjust back angle

RIGHT MIDDLE LEVER

To adjust seat angle

RIGHT FRONT LEVER

To adjust seat height

700MM BLACK NYLON 5 STAR BASE WITH CASTORS

Use soft tyred castors for tiles
Use hard tyred castors for carpet



INDOOR USE ONLY

**OPTIONAL
ADJUSTABLE ARMS**

FRONT KNOB
To adjust weight tension

X Do not use as a step ladder

DIMENSIONS: (mm)

BACK

W: 460

H: 560

BACK TO FLOOR

Lowest: 1025

Highest: 1165

SEAT

W: 560

D: 510

SEAT TO FLOOR

Lowest: 520

Highest: 600

ARM TO FLOOR

Lowest: 665

Highest: 830



SPOT



SPOT-C



Back view



Features:

Adjustable seat height
 Adjustable back height (ratchet)
 Adjustable seat and back angle
 Adjustable weight tension

Moulded seat and back foam
 Mega big boy seat
 3 lever heavy duty ergonomic mechanism
 700mm black nylon 5 star base

Available in Metro black only
 AFRDI tested to level 6
 Suitable for indoor use only

NEWTON RANGE

INSTRUCTION OF USE

To adjust back height hold back with two hands while seated and raise to desired height

To lower the back height raise back all the way to the top and release slowly

RIGHT BACK LEVER

To adjust back angle

RIGHT MIDDLE LEVER

To adjust seat angle

RIGHT FRONT LEVER

To adjust seat height

700MM BLACK NYLON 5 STAR BASE WITH CASTORS

Use soft tyred castors for tiles
Use hard tyred castors for carpet



INDOOR USE ONLY

**OPTIONAL
ADJUSTABLE ARMS**

FRONT KNOB

To adjust weight tension

X Do not use as a step ladder

DIMENSIONS: (mm)

BACK

W: 500

H: 550

BACK TO FLOOR

Lowest: 1045

Highest: 1200

SEAT

W: 560

D: 510

SEAT TO FLOOR

Lowest: 520

Highest: 600

ARM TO FLOOR

Lowest: 665

Highest: 830



NEWTON



NEWTON-C



Back view



Features:

Adjustable seat height
Adjustable back height (ratchet)
Adjustable seat and back angle
Adjustable weight tension

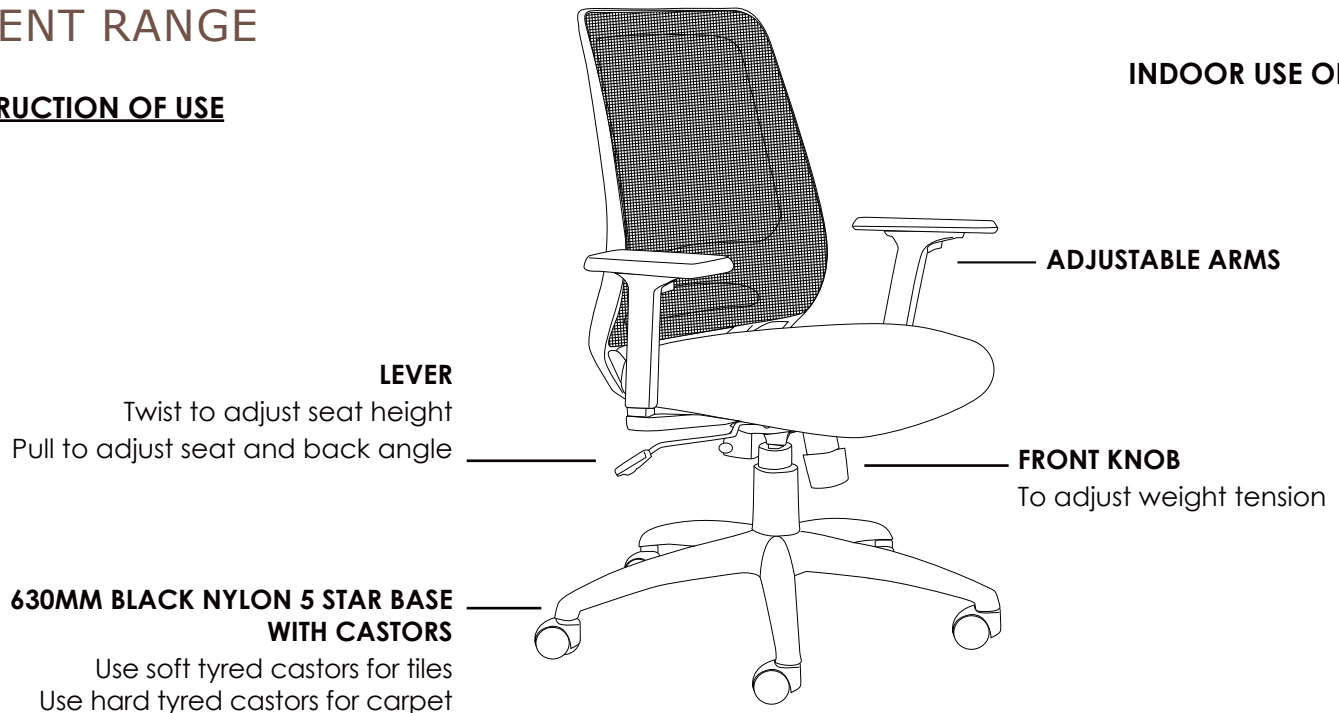
Moulded seat and back foam
Mega big boy seat
3 lever heavy duty ergonomic mechanism
700mm black nylon 5 star base

Available in Metro black only
AFRDI tested to level 6
Suitable for indoor use only

TRENT RANGE

INSTRUCTION OF USE

INDOOR USE ONLY



X Do not use as a step ladder

DIMENSIONS: (mm)

BACK

W: 475

H: 500

BACK TO FLOOR

Lowest: 940

Highest: 1035

SEAT

W: 500

D: 490

SEAT TO FLOOR

Lowest: 460

Highest: 555

ARM TO FLOOR

Lowest: 635

Highest: 795



TRENT



Side view



Back view



Features:

Adjustable seat height
Adjustable seat and back angle
Adjustable weight tension

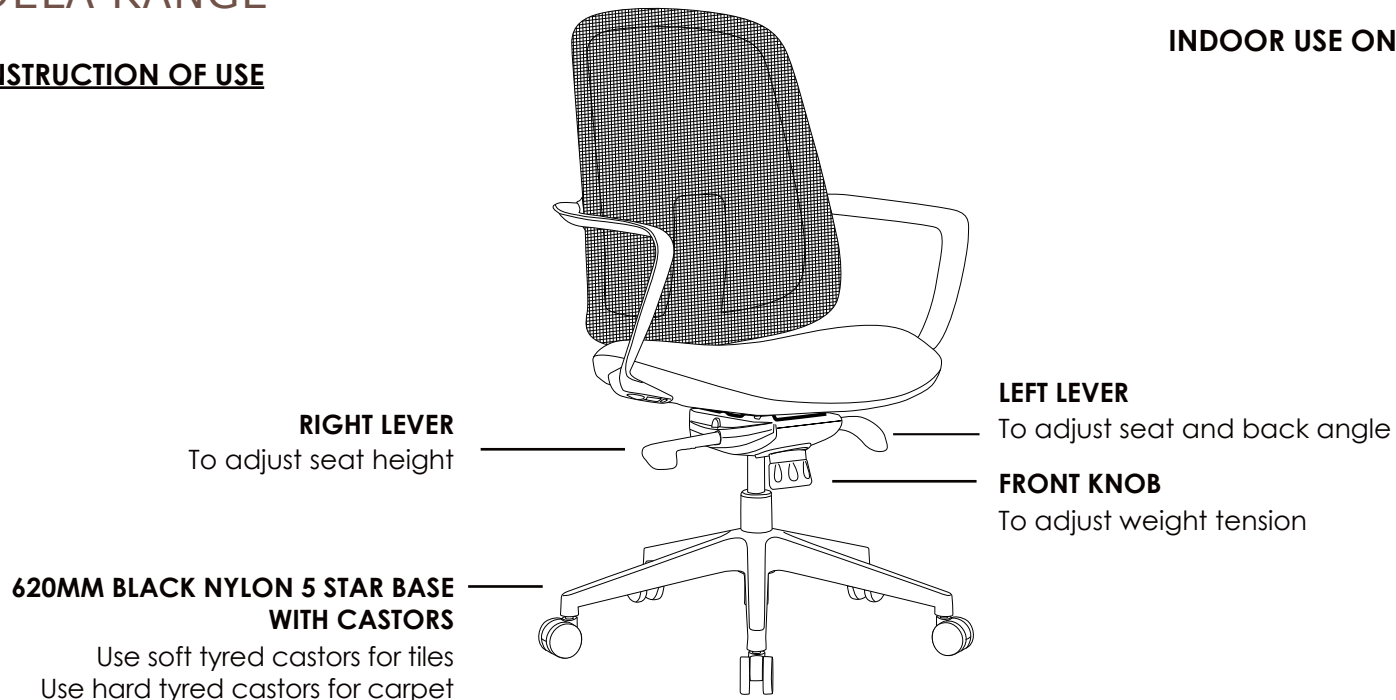
Adjustable arms
Butterfly mechanism
630mm black nylon 5 star base

Available in black only
Suitable for indoor use only

DELA RANGE

INSTRUCTION OF USE

INDOOR USE ONLY



X Do not use as a step ladder

DIMENSIONS: (mm)

BACK

W: 485

H: 570

BACK TO FLOOR

Lowest: 990

Highest: 1090

SEAT

W: 510

D: 480

SEAT TO FLOOR

Lowest: 450

Highest: 550

ARM TO FLOOR

Lowest: 660

Highest: 760



DELA



Side view



Back view



Features:

Adjustable seat height
Adjustable seat and back angle
Adjustable weight tension

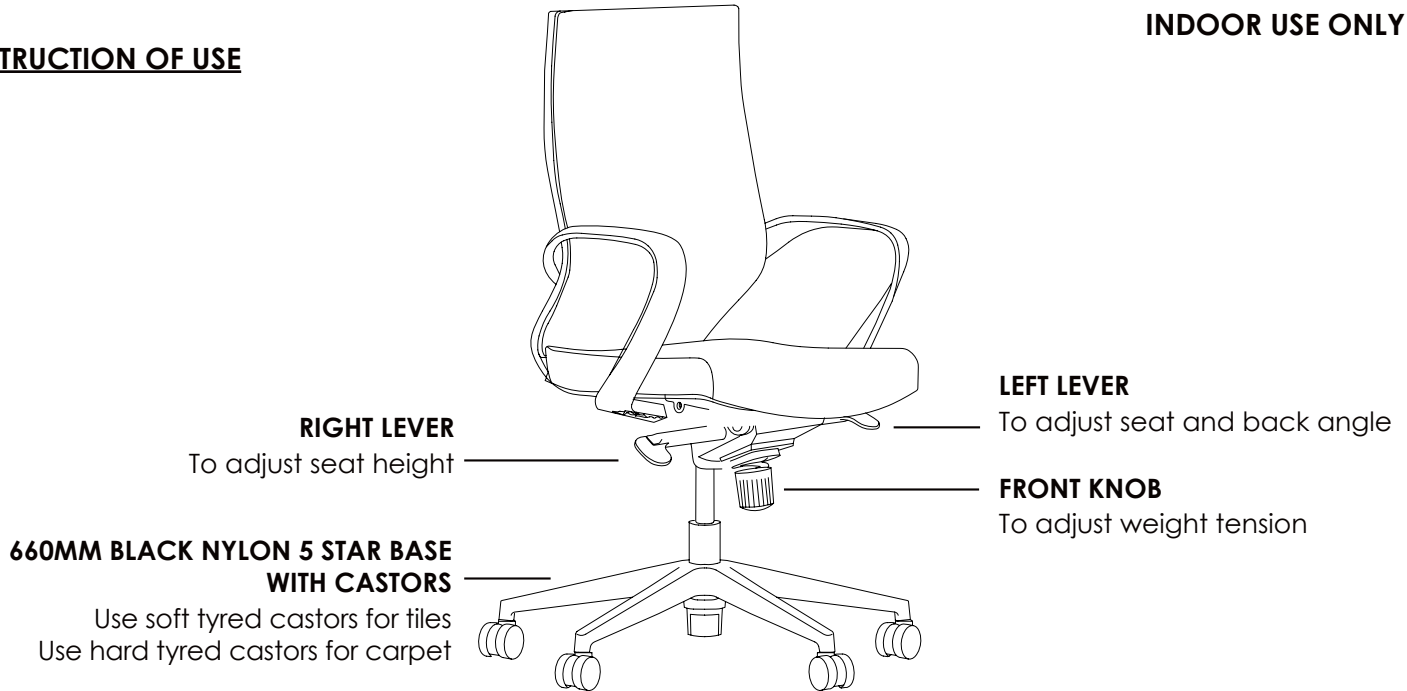
Lumbar support
Knee tilt mechanism with 3 locking positions
620mm black nylon 5 star base

Available in black only
Suitable for indoor use only

GALA RANGE

INSTRUCTION OF USE

INDOOR USE ONLY



X Do not use as a step ladder

DIMENSIONS: (mm)

BACK

W: 500

H: 510

BACK TO FLOOR

Lowest: 960

Highest: 1030

SEAT

W: 505

D: 480

SEAT TO FLOOR

Lowest: 460

Highest: 530

ARM TO FLOOR

Lowest: 680

Highest: 750



GALA



Side view



Back view



Features:

Adjustable seat height
Adjustable seat and back angle
Adjustable weight tension

Knee tilt mechanism with 3 locking positions
660mm black nylon 5 star base

Available in black only
Suitable for indoor use only

WEB RANGE

INSTRUCTION OF USE

INDOOR USE ONLY



X Do not use as a step ladder

DIMENSIONS: (mm)

BACK

W: 445

H: 460

BACK TO FLOOR

Lowest: 940

Highest: 1000

SEAT

W: 510

D: 440

SEAT TO FLOOR

Lowest: 475

Highest: 535

ARM TO FLOOR

Lowest: 695

Highest: 755



WEB-LB



Side view



Back view



Features:

Adjustable seat height
Adjustable seat and back angle
Adjustable weight tension

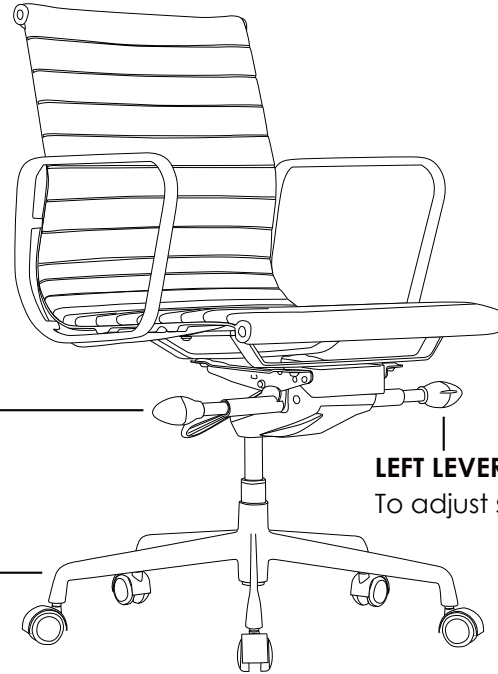
Knee tilt mechanism with 3 locking positions
700mm aluminium 5 star base

Available in black PU only
Suitable for indoor use only

VOLT RANGE

INSTRUCTION OF USE

INDOOR USE ONLY



RIGHT KNOB

To adjust weight tension

INNER RIGHT LEVER

To adjust seat height

LEFT LEVER

To adjust seat and back angle

**660MM HEAVY DUTY BLACK ALUMINIUM
5 STAR BASE WITH CASTORS**

Use soft tyred castors for tiles
Use hard tyred castors for carpet

X Do not use as a step ladder

DIMENSIONS: (mm)

BACK

W: 530

H: 480

BACK TO FLOOR

Lowest: 940

Highest: 990

SEAT

W: 500

D: 450

SEAT TO FLOOR

Lowest: 460

Highest: 510

ARM TO FLOOR

Lowest: 690

Highest: 740



VOLT-TE



VOLT-TA



VOLT-BL

WARRANTY 5 Year	WEIGHT LIMIT 130 Kilogram	IMPORTED
------------------------------	--	--------------

Features:

Adjustable seat height
 Adjustable seat and back angle
 Adjustable weight tension
 Black powder coated frame

Knee tilt mechanism with 3 locking positions
 660mm heavy duty black aluminium base
 Available in terracotta, tan and black PU only
 Suitable for indoor use only

COLOUR



TE-TERRACOTTA



TA-TAN



BL-BLACK

ROVER RANGE

INSTRUCTION OF USE

To adjust back height hold back with two hands while seated and raise to desired height

To lower the back height raise back all the way to the top and release slowly

RIGHT FOURTH LEVER
To adjust back angle

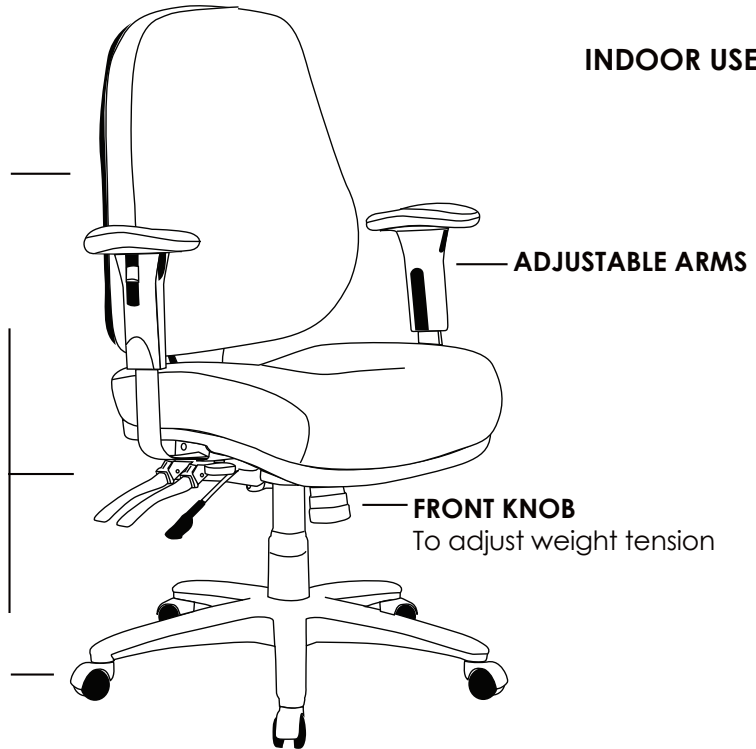
RIGHT THIRD LEVER
To adjust seat angle

RIGHT SECOND LEVER
To adjust seat height

RIGHT FRONT LEVER
To adjust seat front angle

700MM BLACK NYLON 5 STAR BASE WITH CASTORS

Use soft tyred castors for tiles
Use hard tyred castors for carpet



INDOOR USE ONLY

X Do not use as a step ladder

DIMENSIONS: (mm)

BACK

W: 500

H: 630

BACK TO FLOOR

Lowest: 1095

Highest: 1260

SEAT

W: 510

D: 520

SEAT TO FLOOR

Lowest: 480

Highest: 570

ARM TO FLOOR

Lowest: 640

Highest: 790



ROVER-1HA



Side view



Back view

Features:

Adjustable seat height
Adjustable back height (ratchet)
Adjustable seat and back angle
Adjustable weight tension

Adjustable arms
Moulded seat and back foam
4 lever ergonomic mechanism

700mm black nylon 5 star base
Available in black leather only
Suitable for indoor use only



OYSTER RANGE

INSTRUCTION OF USE

To adjust back height hold back with two hands while seated and raise to desired height

To lower the back height raise back all the way to the top and release slowly (LOW BACK ONLY)

RIGHT BACK KNOB

To adjust seat depth (seat slider)

RIGHT BACK LEVER

To adjust back angle

RIGHT MIDDLE LEVER

To adjust seat angle

RIGHT FRONT LEVER

To adjust seat height

700MM ALUMINIUM 5 STAR BASE WITH CASTORS

Use soft tyred castors for tiles
Use hard tyred castors for carpet

INDOOR USE ONLY



X Do not use as a step ladder

DIMENSIONS: (mm)

LOW BACK	BACK TO FLOOR	MEDIUM BACK	BACK TO FLOOR	HEADREST	HIGH BACK TO FLOOR	SEAT	SEAT TO FLOOR	ARM TO FLOOR
W: 500	Lowest: 910	W: 500	Lowest: 1040	W: 345	Lowest: 1180	W: 500	Lowest: 480	Lowest: 660
H: 500	Highest: 1045	H: 660	Highest: 1130	H: 170	Highest: 1360	D: 470	Highest: 570	Highest: 810

* Please note that the Headrest should not be used to manoeuvre the chair.



OYEX1-H



OYEX1-M



OYEX1-L

Features:

Adjustable seat height
Adjustable back height (ratchet)
(Available in low back only)
Adjustable seat and back angle

Adjustable seat depth (seat slider)
Adjustable arms
Moulded seat foam
4 lever ergonomic mechanism

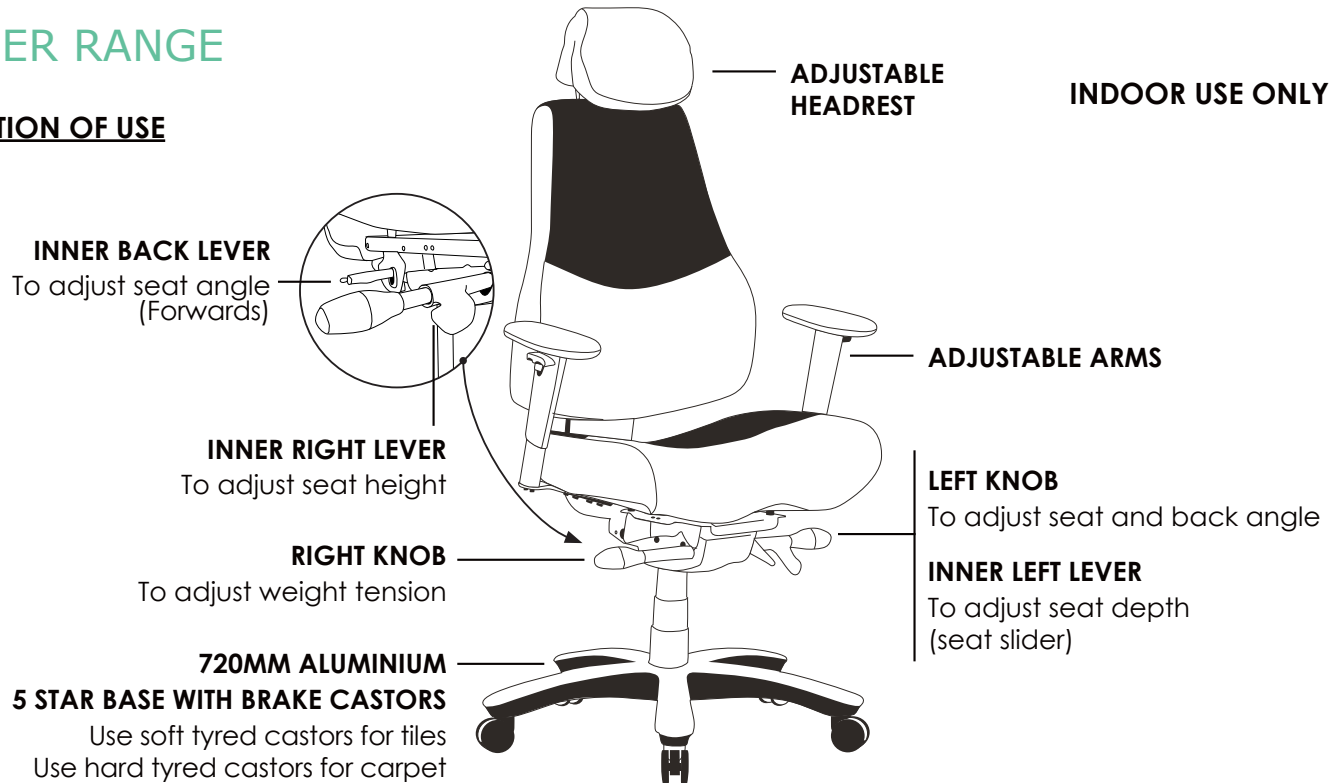
700mm aluminium 5 star base
Available in black only
Suitable for indoor use only



RANGER RANGE

INSTRUCTION OF USE

INDOOR USE ONLY



X Do not use as a step ladder

DIMENSIONS: (mm)

BACK WITH HEADREST

W: 475

H: 720

HEADREST TO FLOOR

Lowest: 1230

Highest: 1350

SEAT

W: 515

D: 540

SEAT TO FLOOR

Lowest: 525

Highest: 645

ARM TO FLOOR

Lowest: 700

Highest: 920

* Please note that the Headrest should not be used to manoeuvre the chair.



RANGER



Side view



Back view

Features:

- Adjustable seat height
- Adjustable seat and back angle
- Forward seat tilt adjustment
- Adjustable seat depth (seat slider)
- Adjustable weight tension
- Adjustable arms

- Adjustable headrest
- Moulded seat and back foam
- Saddle seat
- Synchron mechanism with 3 locking positions
- 720mm aluminium 5 star base

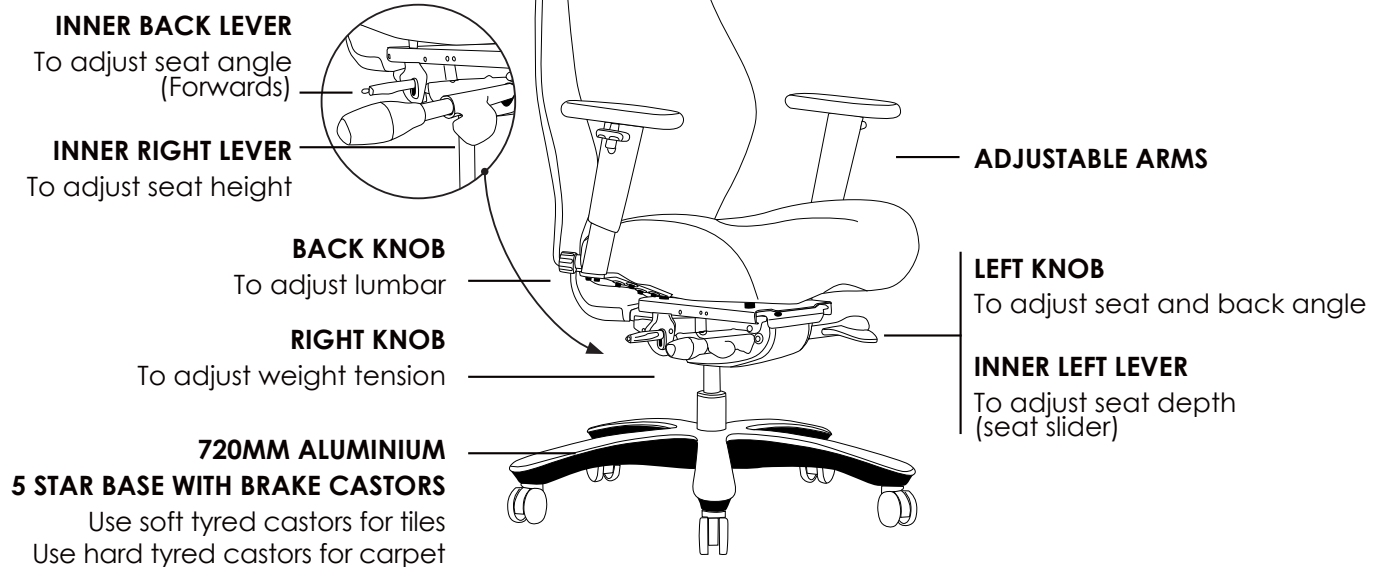
- Brake castors
- Available in black and grey only
- AFRDI tested to level 6
- AFRDI tested to multi shift use 160kg
- Suitable for indoor use only



IMPACT RANGE

INDOOR USE ONLY

INSTRUCTION OF USE



X Do not use as a step ladder

DIMENSIONS: (mm)

BACK	BACK TO FLOOR	HEADREST	HEADREST TO FLOOR	SEAT	SEAT TO FLOOR	ARM TO FLOOR
W: 475	Lowest: 1060	W: 260	Lowest: 1260	W: 540	Lowest: 505	Lowest: 675
H: 615	Highest: 1180	H: 170	Highest: 1405	D: 490	Highest: 625	Highest: 875

* Please note that the Headrest should not be used to manoeuvre the chair.



IMPACT-H



IMPACT-L



Back view

Features:

Adjustable seat height
Adjustable seat and back angle
Forward seat tilt adjustment
Adjustable seat depth (seat slider)
Adjustable weight tension

Adjustable lumbar support
Adjustable arms
Moulded seat and back foam
Saddle seat
Synchron mechanism with 3 locking positions

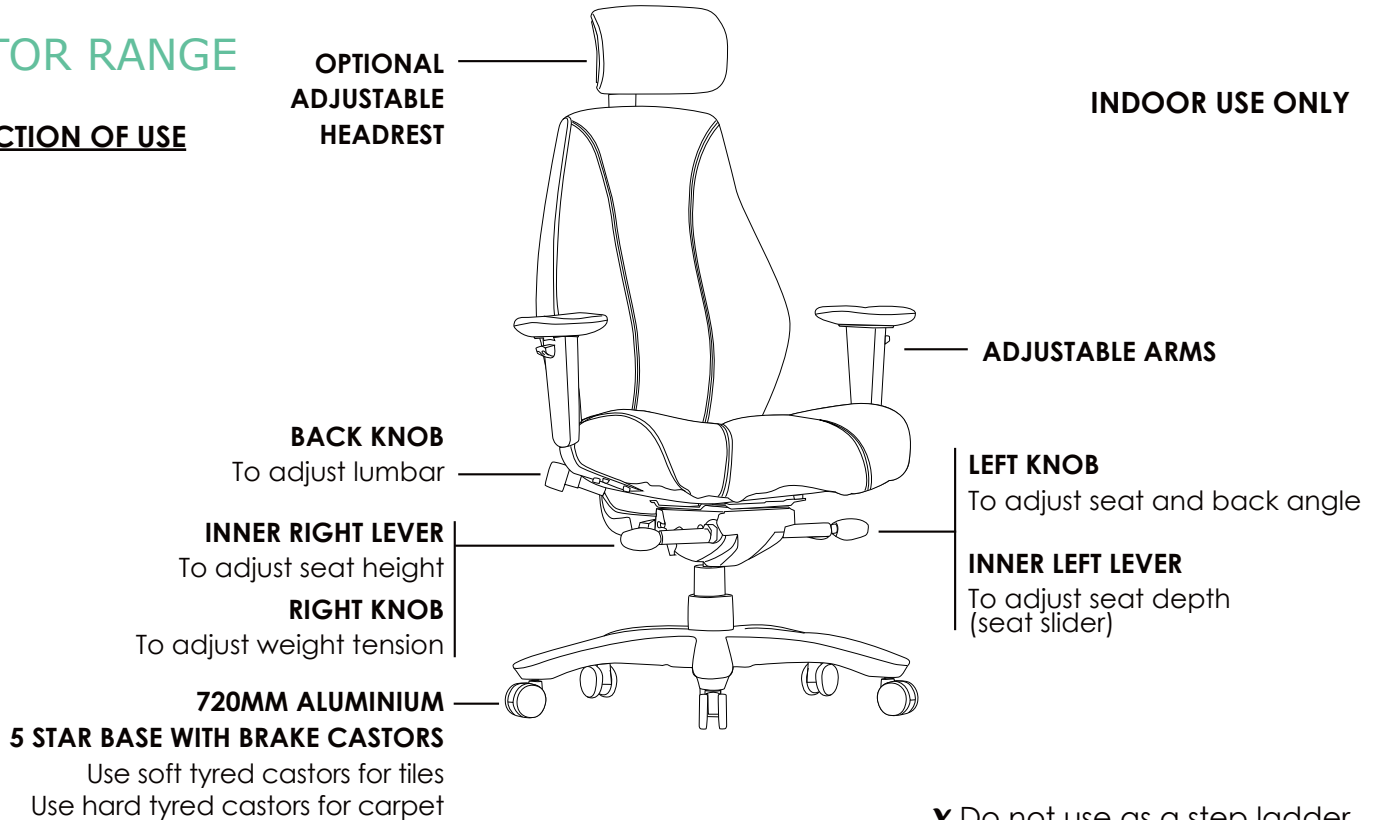
720mm aluminium 5 star base
Brake castors
Available in black fabric only
AFRDI tested to level 6
Suitable for indoor use only



RAPTOR RANGE

INSTRUCTION OF USE

INDOOR USE ONLY



DIMENSIONS: (mm)

BACK	BACK TO FLOOR	HEADREST	HEADREST TO FLOOR	SEAT	SEAT TO FLOOR	ARM TO FLOOR
W: 475	Lowest: 1060	W: 265	Lowest: 1195	W: 540	Lowest: 500	Lowest: 680
H: 615	Highest: 1160	H: 170	Highest: 1340	D: 490	Highest: 600	Highest: 860

* Please note that the Headrest should not be used to manoeuvre the chair.



RAPTOR-H



RAPTOR-L



Back view

Features:

Adjustable seat height
Adjustable seat and back angle
Adjustable seat depth (seat slider)
Adjustable weight tension
Adjustable lumbar support

Adjustable headrest
Adjustable arms
Moulded seat and back foam
Saddle seat
Synchron mechanism with 3 locking positions

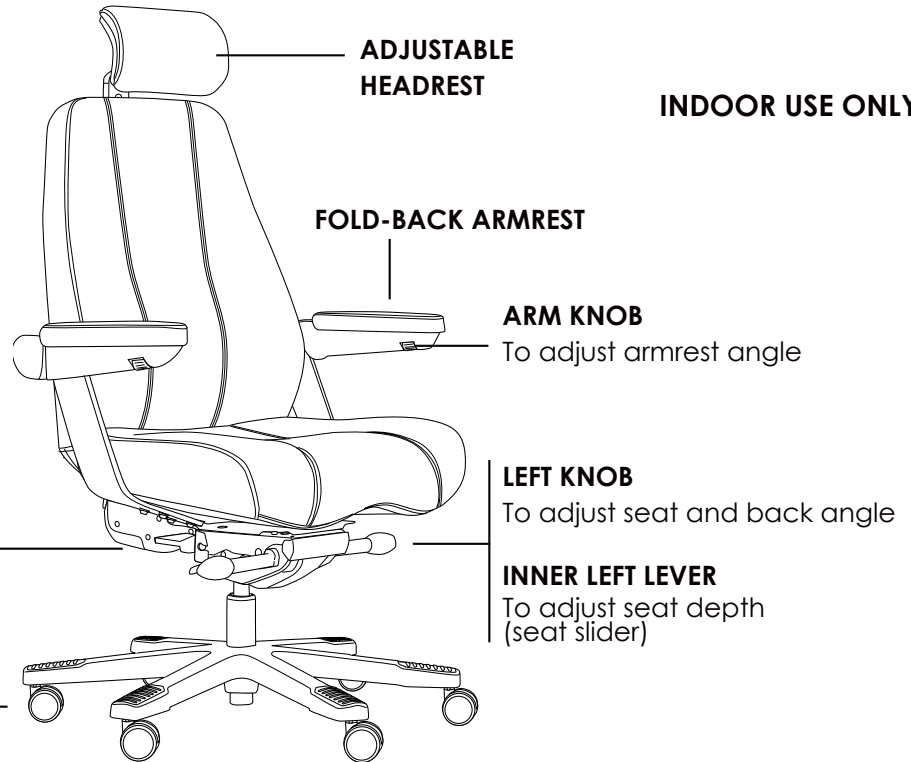
720mm aluminum 5 star base
Brake castors
Available in black leather only
AFRDI tested to level 6
Suitable for indoor use only



CORSA RANGE

INSTRUCTION OF USE

INDOOR USE ONLY



750MM BLACK ALUMINUM 6 STAR BASE WITH BRAKE CASTORS

Use soft tyred castors for tiles
Use hard tyred castors for carpet

X Do not use as a step ladder

DIMENSIONS: (mm)

BACK	BACK TO FLOOR	HEADREST	HEADREST TO FLOOR	SEAT	SEAT TO FLOOR	ARM TO FLOOR
W: 540	Lowest: 1110	W: 270	Lowest: 1290	W: 535	Lowest: 525	Lowest: 730
H: 695	Highest: 1200	H: 165	Highest: 1380	D: 460	Highest: 615	Highest: 820

* Please note that the Headrest should not be used to manoeuvre the chair.



CORSA



Side view



Back view

Features:

Adjustable seat height
Adjustable seat and back angle
Adjustable seat depth (seat slider)
Adjustable weight tension
Adjustable headrest

Lockable incline, fold-back armrests
Moulded seat and back foam
Saddle seat
Synchron mechanism with 3 locking positions
750mm black aluminum 6 star base



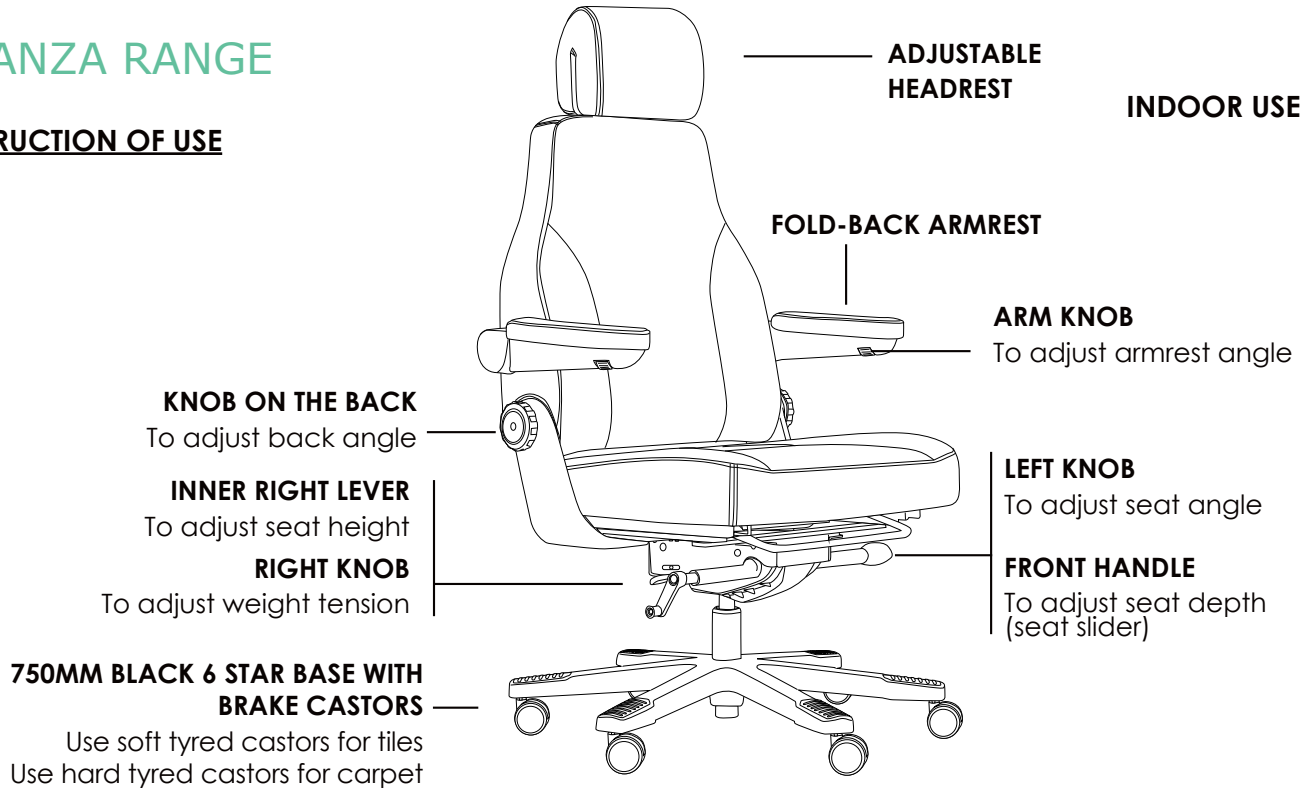
* Style rated multi shift use 200KG

Brake castors
Available in black leather only
Suitable for indoor use only

STANZA RANGE

INSTRUCTION OF USE

INDOOR USE ONLY



X Do not use as a step ladder

DIMENSIONS: (mm)

BACK	BACK TO FLOOR	HEADREST	HEADREST TO FLOOR	SEAT	SEAT TO FLOOR	ARM TO FLOOR
W: 550	Lowest: 1090	W: 260	Lowest: 1275	W: 610	Lowest: 500	Lowest: 735
H: 590	Highest: 1180	H: 200	Highest: 1375	D: 410	Highest: 600	Highest: 835

* Please note that the Headrest should not be used to manoeuvre the chair.



STANZA



Side view



Back view

Features:

Adjustable seat height
Adjustable seat and back angle
Adjustable seat depth (seat slider)
Adjustable weight tension
Adjustable headrest

Lockable incline, fold-back armrests
Back made of metal construction
Independent back angle adjustment
Moulded seat and back foam
Synchron mechanism with 3 locking positions

750mm black aluminum 6 star base
Brake castors
Available in black automotive leather only
Suitable for indoor use only

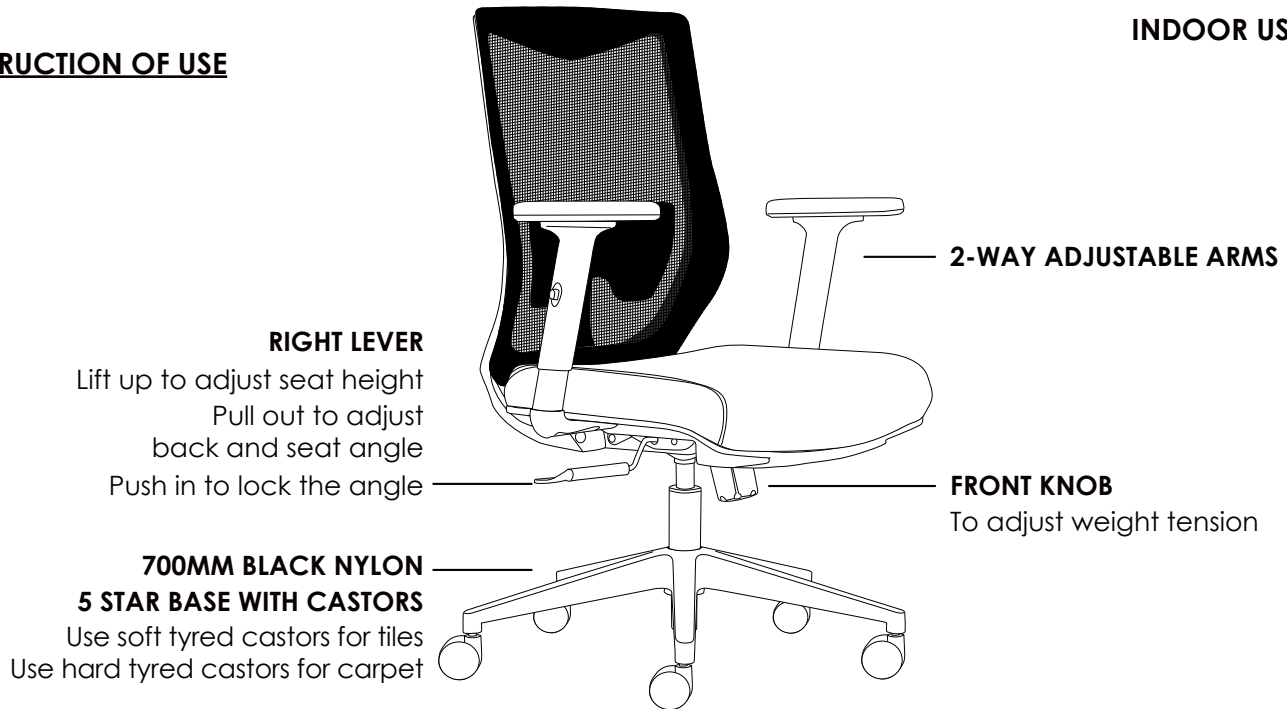


* Style rated multi shift use 230KG

GIBBS RANGE

INSTRUCTION OF USE

INDOOR USE ONLY



X Do not use as a step ladder

DIMENSIONS: (mm)

BACK

W: 490

H: 560

BACK TO FLOOR

Lowest: 990

Highest: 1090

SEAT

W: 500

D: 510

SEAT TO FLOOR

Lowest: 460

Highest: 560

ARM TO FLOOR

Lowest: 650

Highest: 835



GIBBS



Side view



Back view

Features:

Adjustable seat height
Adjustable seat and back angle
Adjustable weight tension

2-Way adjustable arms
Lumbar support
Butterfly mechanism

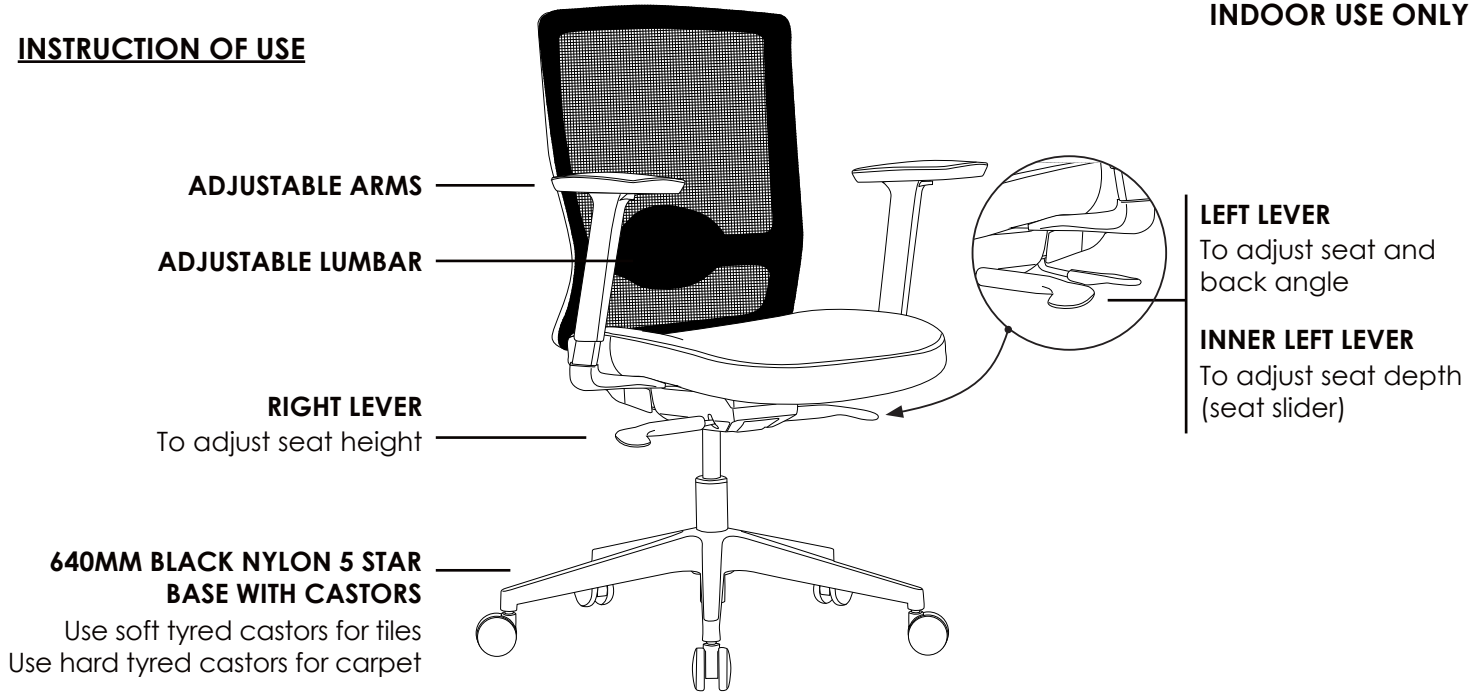
700mm black nylon 5 star base
Available in black only
Suitable for indoor use only

WARRANTY 4 Year	WEIGHT LIMIT 120 Kilogram	IMPORTED 
------------------------------	--	---

DRAFT RANGE

INSTRUCTION OF USE

INDOOR USE ONLY



X Do not use as a step ladder

DIMENSIONS: (mm)

BACK

W: 480

H: 520

BACK TO FLOOR

Lowest: 950

Highest: 1035

SEAT

W: 300

D: 520

SEAT TO FLOOR

Lowest: 460

Highest: 545

ARM TO FLOOR

Lowest: 655

Highest: 810



DRAFT



Side view



Back view

Features:

- Adjustable seat height
- Adjustable seat and back angle
- Adjustable seat depth (seat slider)
- Adjustable arms

- Adjustable lumbar
- Auto weight tensioning
- Synchron mechanism with 3 locking positions

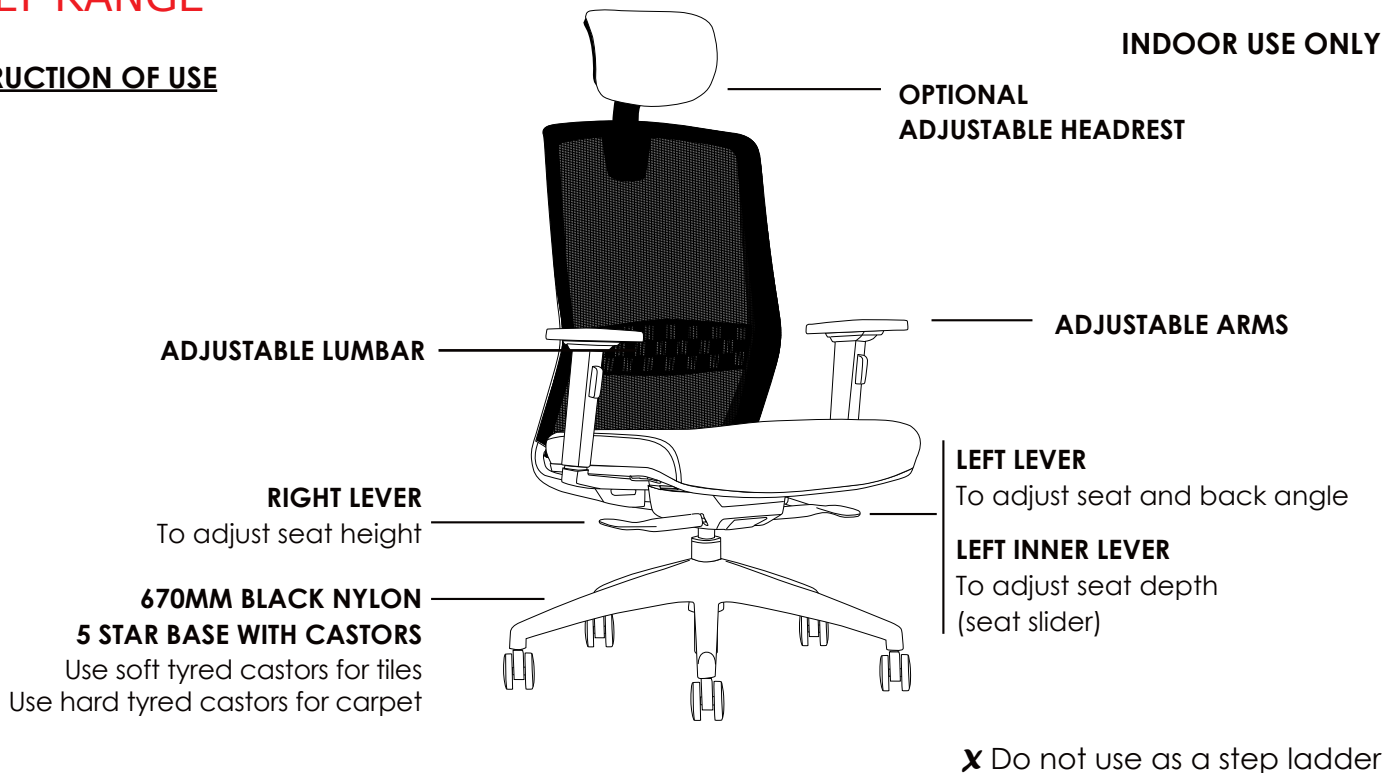
- 640mm black nylon 5 star base
- Available in black only
- Suitable for indoor use only

WARRANTY 4 Year	WEIGHT LIMIT 120 Kilogram	IMPORTED 
------------------------------	--	---

BOLT RANGE

INSTRUCTION OF USE

INDOOR USE ONLY



DIMENSIONS: (mm)

BACK	BACK TO FLOOR	HEADREST	HEADREST TO FLOOR	SEAT	SEAT TO FLOOR	ARM TO FLOOR
W: 440	Lowest: 940	W: 250	Lowest: 1130	W: 500	Lowest: 430	Lowest: 595
H: 510	Highest: 1140	H: 170	Highest: 1260	D: 495	Highest: 530	Highest: 750

* Please note that the Headrest should not be used to manoeuvre the chair.



BOLT-H



BOLT-L



Back view

Features:

Adjustable seat height
Adjustable seat and back angle
Adjustable seat depth (seat slider)
Adjustable arms

Adjustable lumbar support
Auto weight tensioning
Synchron mechanism with 3 locking positions

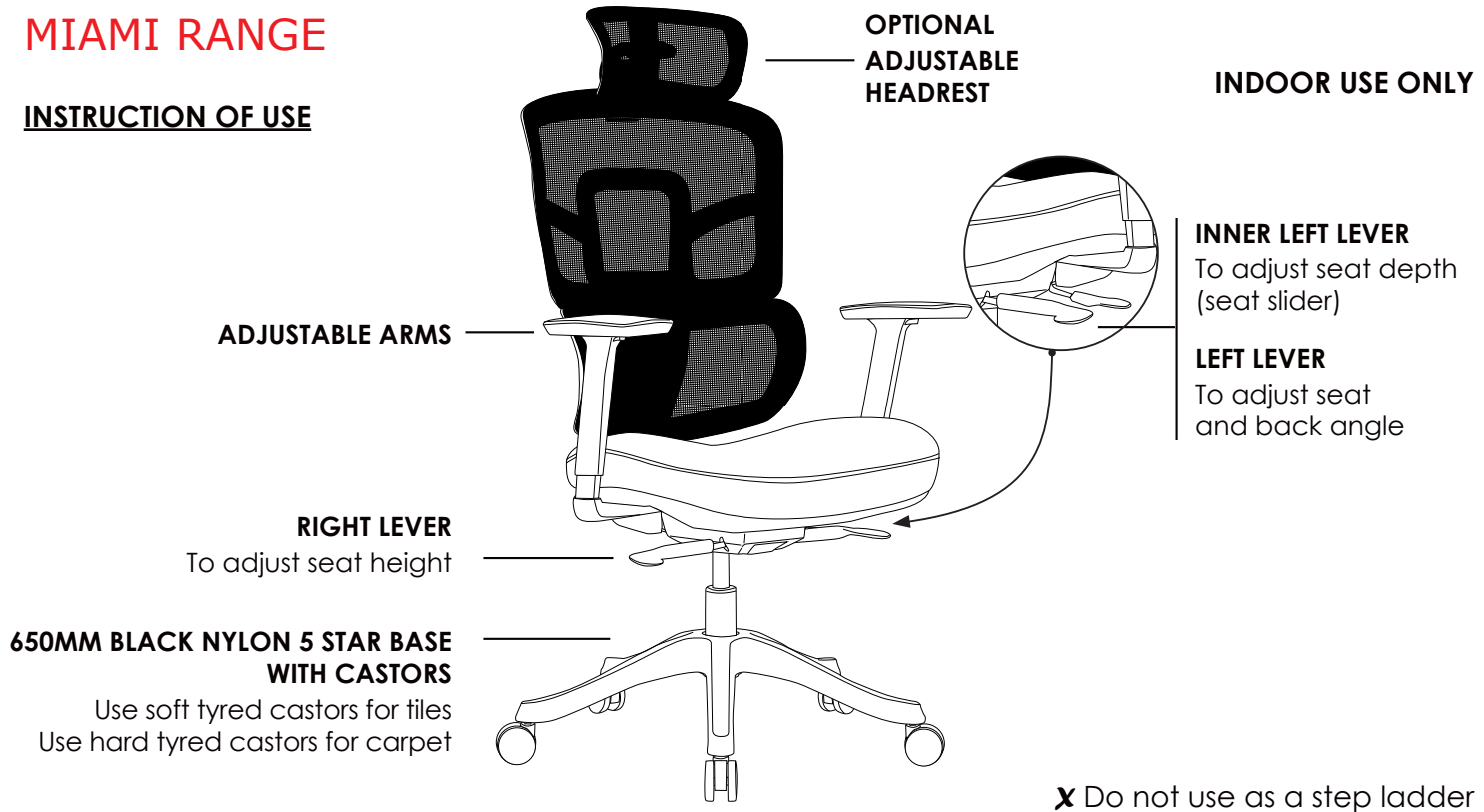
670mm black nylon 5 star base
Available in black only
Suitable for indoor use only



MIAMI RANGE

INSTRUCTION OF USE

INDOOR USE ONLY



DIMENSIONS: (mm)

BACK	BACK TO FLOOR	HEADREST	HEADREST TO FLOOR	SEAT	SEAT TO FLOOR	ARM TO FLOOR
W: 500	Lowest: 1025	W: 300	Lowest: 1095	W: 520	Lowest: 465	Lowest: 660
H: 585	Highest: 1100	H: 150	Highest: 1270	D: 500	Highest: 550	Highest: 745

* Please note that the Headrest should not be used to manoeuvre the chair.



MIAMI-H



MIAMI-L



Back view

Features:

Adjustable seat height
Adjustable seat and back angle
Adjustable seat depth (seat slider)
Active lumbar

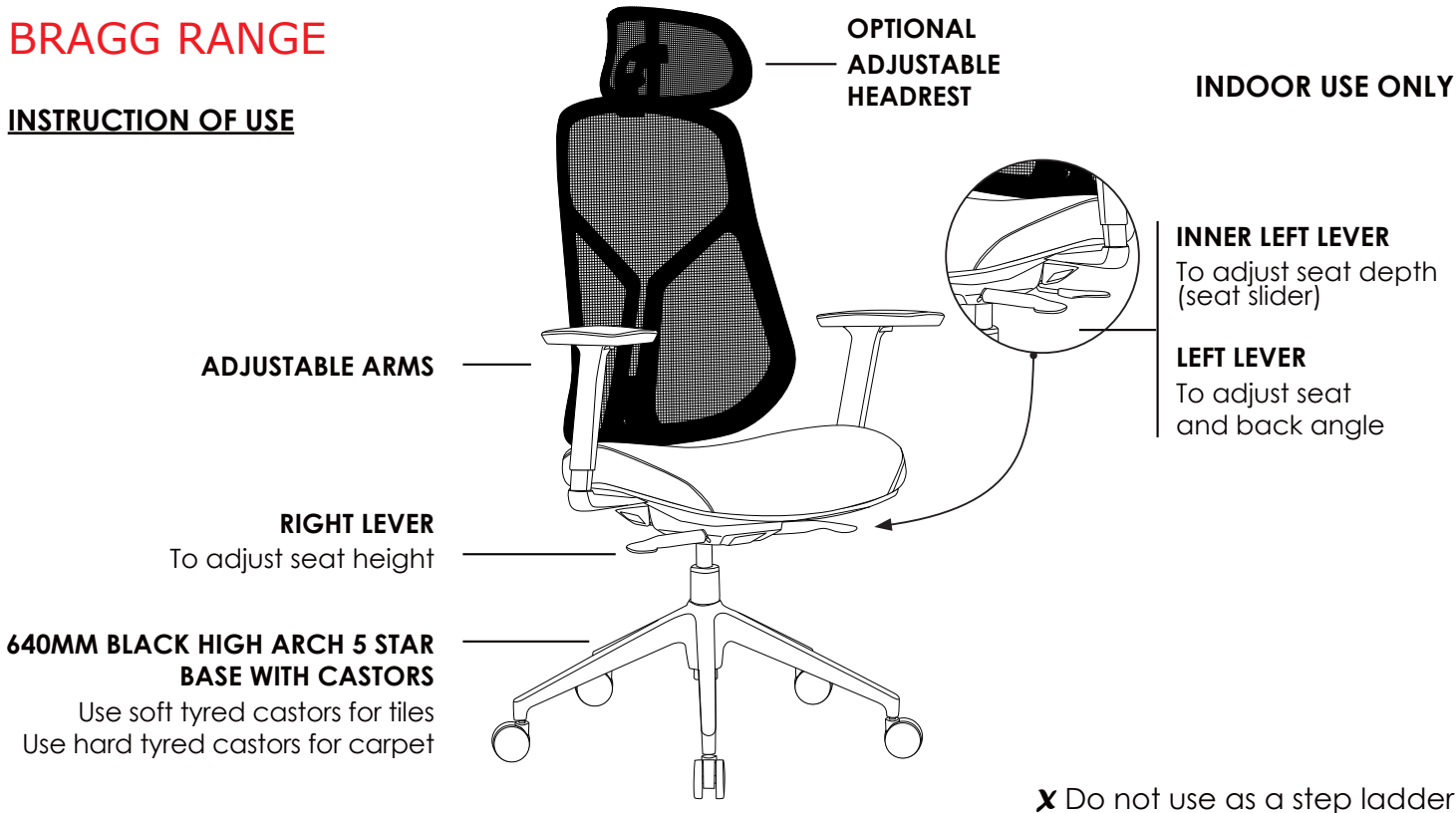
Adjustable arms
Auto weight tensioning
Synchron mechanism with 3 locking positions
650mm black nylon 5 star base

Available in black only
Suitable for indoor use only



BRAGG RANGE

INSTRUCTION OF USE



DIMENSIONS: (mm)

BACK	BACK TO FLOOR	HEADREST	HEADREST TO FLOOR	SEAT	SEAT TO FLOOR	ARM TO FLOOR
W: 470	Lowest: 1075	W: 320	Lowest: 1210	W: 510	Lowest: 495	Lowest: 660
H: 650	Highest: 1150	H: 190	Highest: 1370	D: 510	Highest: 570	Highest: 810

* Please note that the Headrest should not be used to manoeuvre the chair.



BRAGG-H



BRAGG-L



Back view

Features:

Adjustable seat height
Adjustable seat and back angle
Adjustable seat depth (seat slider)
Adjustable arms

Auto weight tensioning
Synchron mechanism with 3 locking positions
640mm black high arch 5 star base

Available in black only
Suitable for indoor use only



KUBE RANGE

INSTRUCTION OF USE

INDOOR USE ONLY



X Do not use as a step ladder

DIMENSIONS: (mm)

BACK	BACK TO FLOOR	HEADREST	HEADREST TO FLOOR	SEAT	SEAT TO FLOOR	ARM TO FLOOR
W: 470	Lowest: 1010	W: 360	Lowest: 1190	W: 490	Lowest: 450	Lowest: 640
H: 590	Highest: 1090	H: 170	Highest: 1260	D: 490	Highest: 530	Highest: 775

* Please note that the Headrest should not be used to manoeuvre the chair.



KUBE-H



KUBE-L



Back view

Features:

Adjustable seat height
Adjustable seat and back angle
Adjustable seat depth (seat slider)
Adjustable weight tension

Adjustable lumbar
3-Way adjustable arms
Synchron mechanism with 3 locking positions
670mm black nylon 5 star base

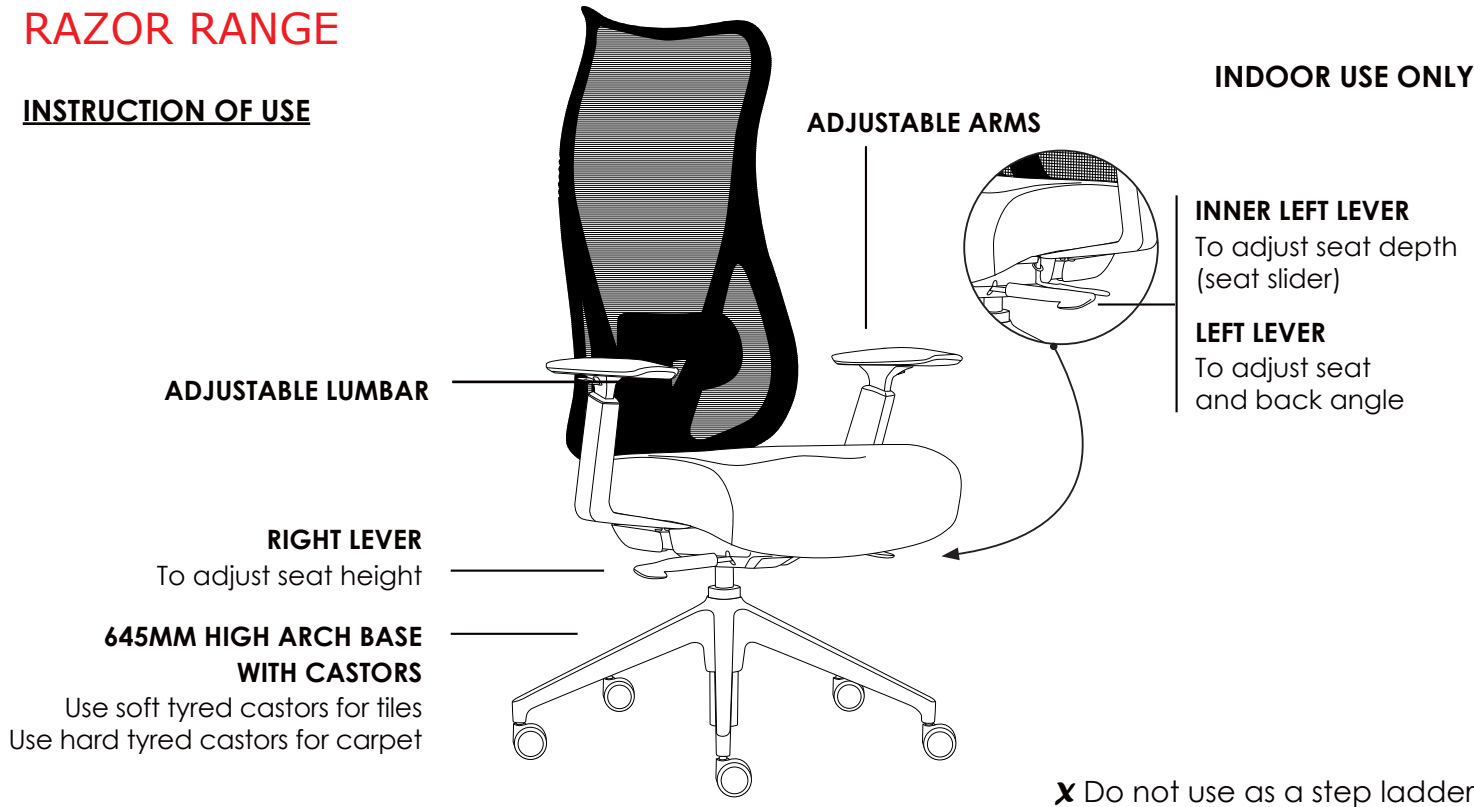


Available in black only
BIFMA tested
Suitable for indoor use only

RAZOR RANGE

INSTRUCTION OF USE

INDOOR USE ONLY



DIMENSIONS: (mm)

BACK	BACK TO FLOOR	SEAT	SEAT TO FLOOR	ARM TO FLOOR
W: 510	Lowest: 1180	W: 500	Lowest: 470	Lowest: 680
H: 710	Highest: 1240	D: 505	Highest: 530	Highest: 745

* Please note that the Headrest should not be used to manoeuvre the chair.



RAZOR



Side view



Back view



Features:

Adjustable seat height

Adjustable seat and back angle

Adjustable seat depth (seat slider)

Adjustable lumbar

Adjustable arms

Auto weight tensioning

Big boy seat

Memory seat foam

Synchron mechanism with 3 locking positions

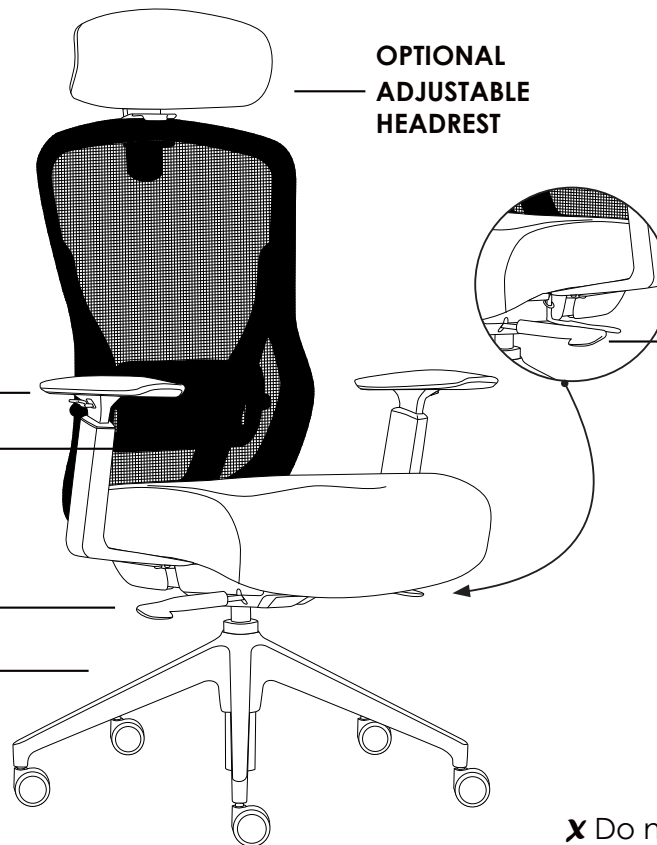
645mm black nylon 5 star base

Available in black only

Suitable for indoor use only

MITZ RANGE

INSTRUCTION OF USE



INDOOR USE ONLY

INNER LEFT LEVER
To adjust seat depth
(seat slider)

LEFT LEVER
To adjust seat
and back angle

ADJUSTABLE ARMS

ADJUSTABLE LUMBAR

RIGHT LEVER
To adjust seat height

**645MM HIGH ARCH BASE
WITH CASTORS**

Use soft tyred castors for tiles
Use hard tyred castors for carpet

X Do not use as a step ladder

DIMENSIONS: (mm)

BACK	BACK TO FLOOR	HEADREST	HEADREST TO FLOOR	SEAT	SEAT TO FLOOR	ARM TO FLOOR
W: 520	Lowest: 1060	W: 320	Lowest: 1210	W: 515	Lowest: 470	Lowest: 645
H: 570	Highest: 1180	H: 150	Highest: 1330	D: 480	Highest: 590	Highest: 720

* Please note that the Headrest should not be used to manoeuvre the chair.



MITZ-H



MITZ-L



Back view

Features:

Adjustable seat height
Adjustable seat and back angle
Adjustable seat depth (seat slider)
Adjustable lumbar
Adjustable arms

Auto weight tensioning
Big boy seat
Memory seat foam
Synchron mechanism with 3 locking positions

645mm black nylon 5 star base
Available in black only
Suitable for indoor use only



IVORY RANGE

INSTRUCTION OF USE

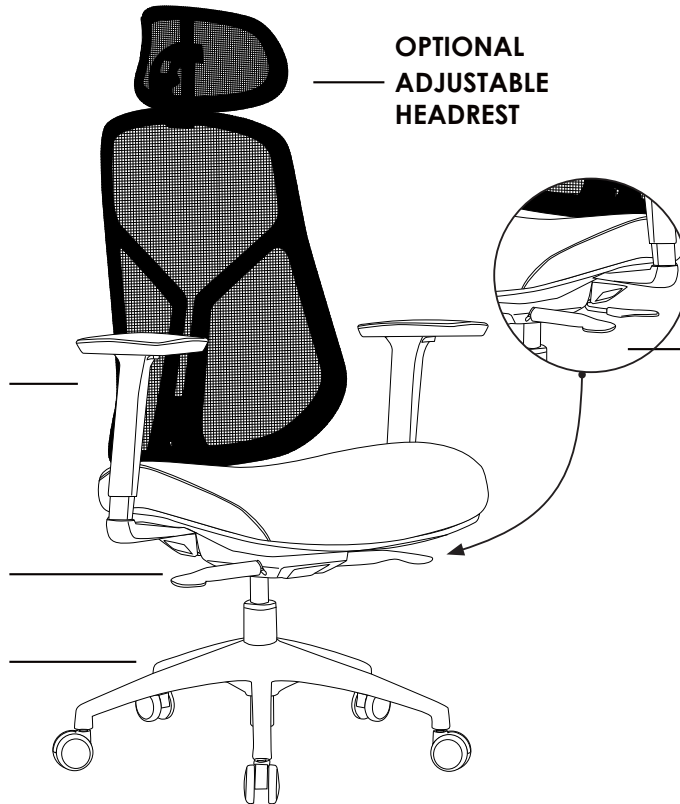
OPTIONAL
ADJUSTABLE
HEADREST

INDOOR USE ONLY

3-WAY ADJUSTABLE ARMS

RIGHT LEVER
To adjust seat height

**620MM GREY NYLON BASE
WITH CASTORS**
Use soft tyred castors for tiles
Use hard tyred castors for carpet



INNER LEFT LEVER
To adjust seat depth
(seat slider)

LEFT LEVER
To adjust seat
and back angle

X Do not use as a step ladder

DIMENSIONS: (mm)

BACK BACK TO FLOOR
W: 470 Lowest: 1060
H: 650 Highest: 1150

HEADREST
W: 320
H: 190

HEADREST TO FLOOR
Lowest: 1075
Highest: 1325

SEAT SEAT TO FLOOR
W: 510 Lowest: 485
D: 510 Highest: 575

ARM TO FLOOR
Lowest: 655
Highest: 820

* Please note that the Headrest should not be used to manoeuvre the chair.



IVORY-H



IVORY-L



Back view



Features:

Adjustable seat height
Adjustable seat and back angle
Adjustable seat depth (seat slider)
3-Way adjustable arms

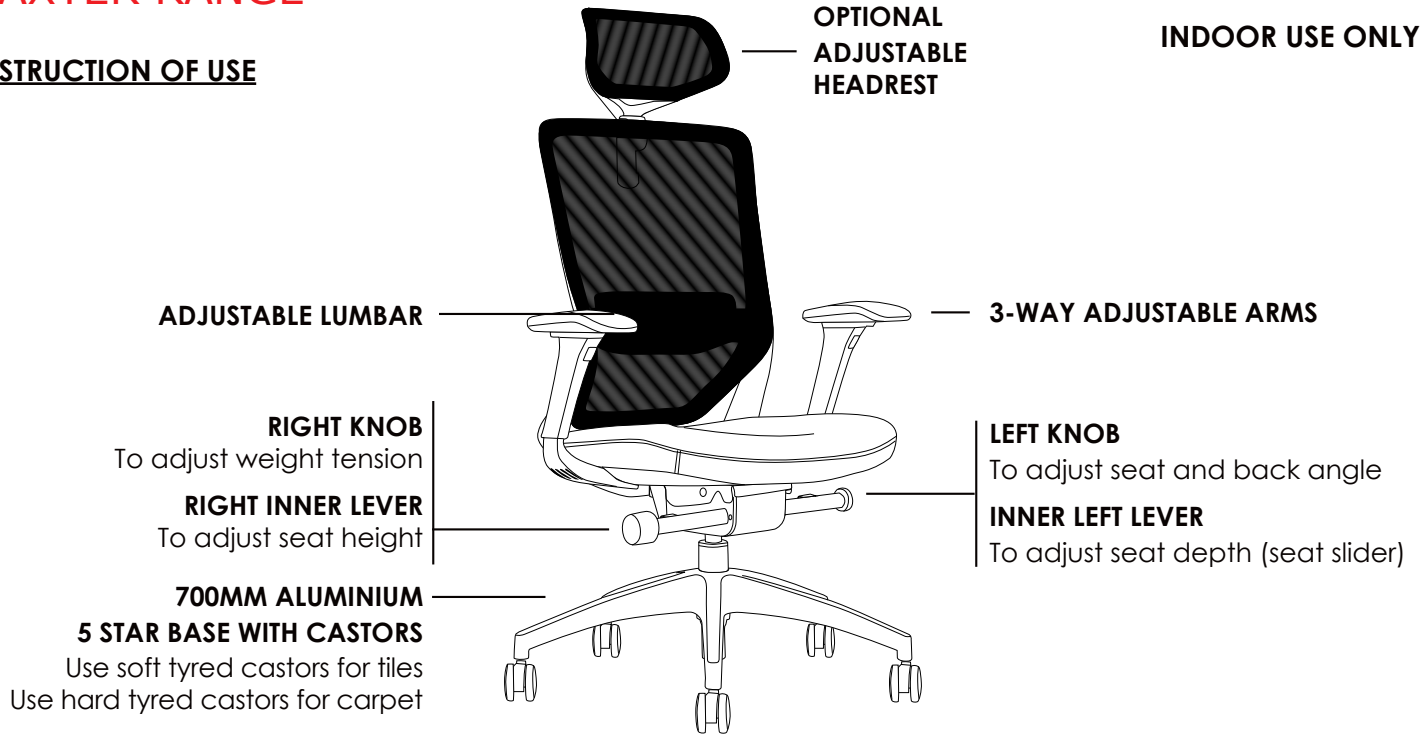
Auto weight tensioning
Synchron mechanism with 3 locking positions
620mm grey nylon 5 star base

Available in grey only
Suitable for indoor use only

BAXTER RANGE

INSTRUCTION OF USE

INDOOR USE ONLY



X Do not use as a step ladder

DIMENSIONS: (mm)

BACK	BACK TO FLOOR	HEADREST	HEADREST TO FLOOR	SEAT	SEAT TO FLOOR	ARM TO FLOOR
W: 475	Lowest: 1025	W: 330	Lowest: 1130	W: 500	Lowest: 470	Lowest: 670
H: 585	Highest: 1120	H: 200	Highest: 1385	D: 510	Highest: 565	Highest: 830

* Please note that the Headrest should not be used to manoeuvre the chair.



BAXTER-H



BAXTER-L



Back view

Features:

Adjustable seat height
Adjustable seat and back angle
Adjustable seat depth (seat slider)
Adjustable weight tension

Adjustable lumbar
3-Way adjustable arms
Synchron mechanism with 3 locking positions
700mm aluminium 5 star base

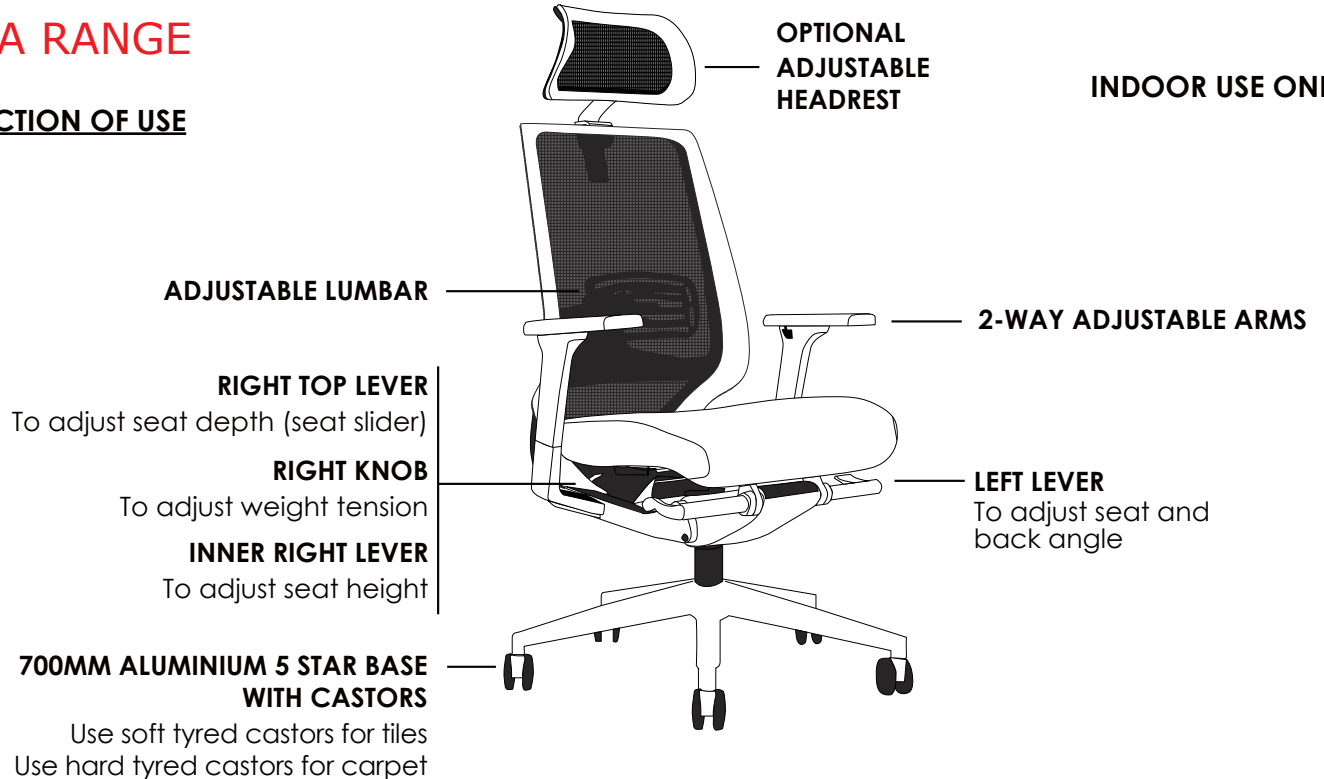
Available in black only
BIFMA tested
Suitable for indoor use only



EVITA RANGE

INSTRUCTION OF USE

INDOOR USE ONLY



X Do not use as a step ladder

DIMENSIONS: (mm)

BACK	BACK TO FLOOR	HEADREST	HEADREST TO FLOOR	SEAT	SEAT TO FLOOR	ARM TO FLOOR
W: 415	Lowest: 1005	W: 340	Lowest: 1225	W: 490	Lowest: 490	Lowest: 640
H: 560	Highest: 1125	H: 180	Highest: 1380	D: 460	Highest: 610	Highest: 825

* Please note that the Headrest should not be used to manoeuvre the chair.



EVITA-H



EVITA-L



Back view

Features:

Adjustable seat height
Adjustable seat and back angle
Adjustable seat depth (seat slider)
Adjustable weight tension

Adjustable lumbar
2-Way adjustable arms
Moulded seat foam
Korean mesh back

Synchron mechanism with 3 locking positions
700mm aluminium 5 star base
Available in black only
BIFMA tested
Suitable for indoor use only



ZODIAC RANGE

INSTRUCTION OF USE

To adjust back height hold back with two hands while seated and raise to desired height

To lower the back height raise back all the way to the top and release slowly

ADJUSTABLE ARMS

RIGHT LEVER

To adjust seat height

700MM ALUMINIUM 5 STAR BASE WITH CASTORS

Use soft tyred castors for tiles
Use hard tyred castors for carpet

OPTIONAL ADJUSTABLE HEADREST

INDOOR USE ONLY



LEFT FRONT LEVER

To adjust back angle

LEFT BACK LEVER

To adjust seat depth (seat slider)

FRONT KNOB

To adjust weight tension

X Do not use as a step ladder

DIMENSIONS: (mm)

BACK BACK TO FLOOR

W: 455 Lowest: 990

H: 550 Highest: 1150

HEADREST

W: 380

H: 180

HEADREST TO FLOOR

Lowest: 1140

Highest: 1350

SEAT

W: 500

D: 490

SEAT TO FLOOR

Lowest: 515

Highest: 610

ARM TO FLOOR

Lowest: 670

Highest: 840

* Please note that the Headrest should not be used to manoeuvre the chair.



ZODIAC-H



ZODIAC-L



Back view

Features:

- Adjustable seat height cable controlled
- Adjustable back height (ratchet)
- Adjustable seat and back angle cable controlled
- Adjustable seat depth (seat slider) cable controlled
- Adjustable weight tension

- 2-Way adjustable arms
- Synchron mechanism with 3 locking positions
- 700mm aluminium 5 star base
- Available in black only
- BIFMA tested
- Suitable for indoor use only



ERGO-1 RANGE

INSTRUCTION OF USE

To adjust back height hold back with two hands while seated and raise to desired height

To lower the back height raise back all the way to the top and release slowly

RIGHT BACK LEVER

To adjust seat depth (seat slider)

RIGHT FRONT LEVER

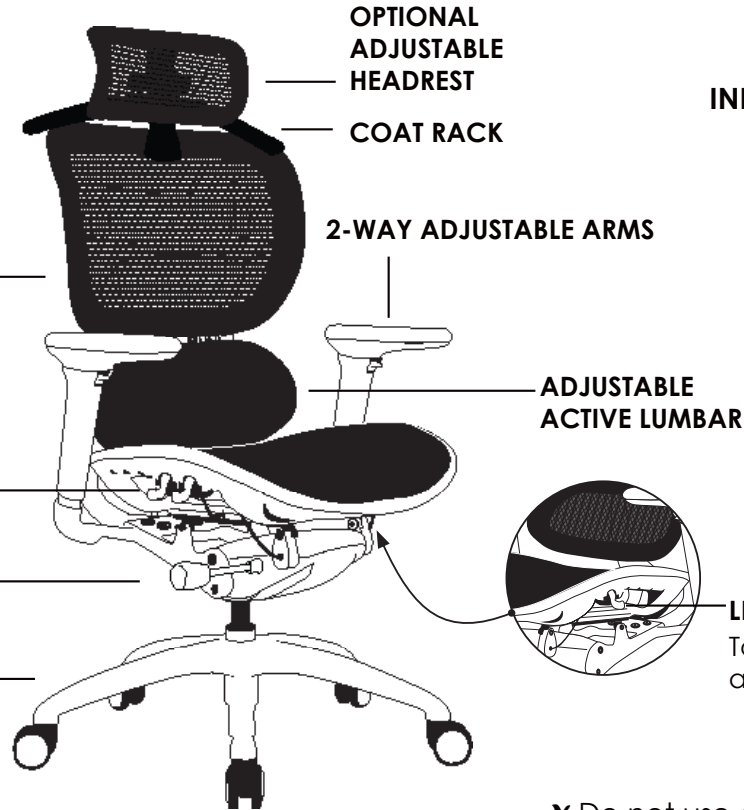
To adjust seat height

RIGHT KNOB

To adjust weight tension

700MM ALUMINIUM 5 STAR BASE WITH CASTORS

Use soft tyred castors for tiles
Use hard tyred castors for carpet



INDOOR USE ONLY

X Do not use as a step ladder

DIMENSIONS: (mm)

BACK	BACK TO FLOOR	HEADREST	HEADREST TO FLOOR	SEAT	SEAT TO FLOOR	ARM TO FLOOR
W: 530	Lowest: 1110	W: 300	Lowest: 1245	W: 520	Lowest: 500	Lowest: 660
H: 640	Highest: 1190	H: 180	Highest: 1400	D: 500	Highest: 590	Highest: 820

* Please note that the Headrest should not be used to manoeuvre the chair.



ERGGO-1H



ERGGO-1L



Back view

Features:

- Adjustable seat height cable controlled
- Adjustable back height (ratchet)
- Adjustable seat and back angle cable controlled
- Adjustable seat depth (seat slider) cable controlled
- Adjustable weight tension
- Adjustable active lumbar

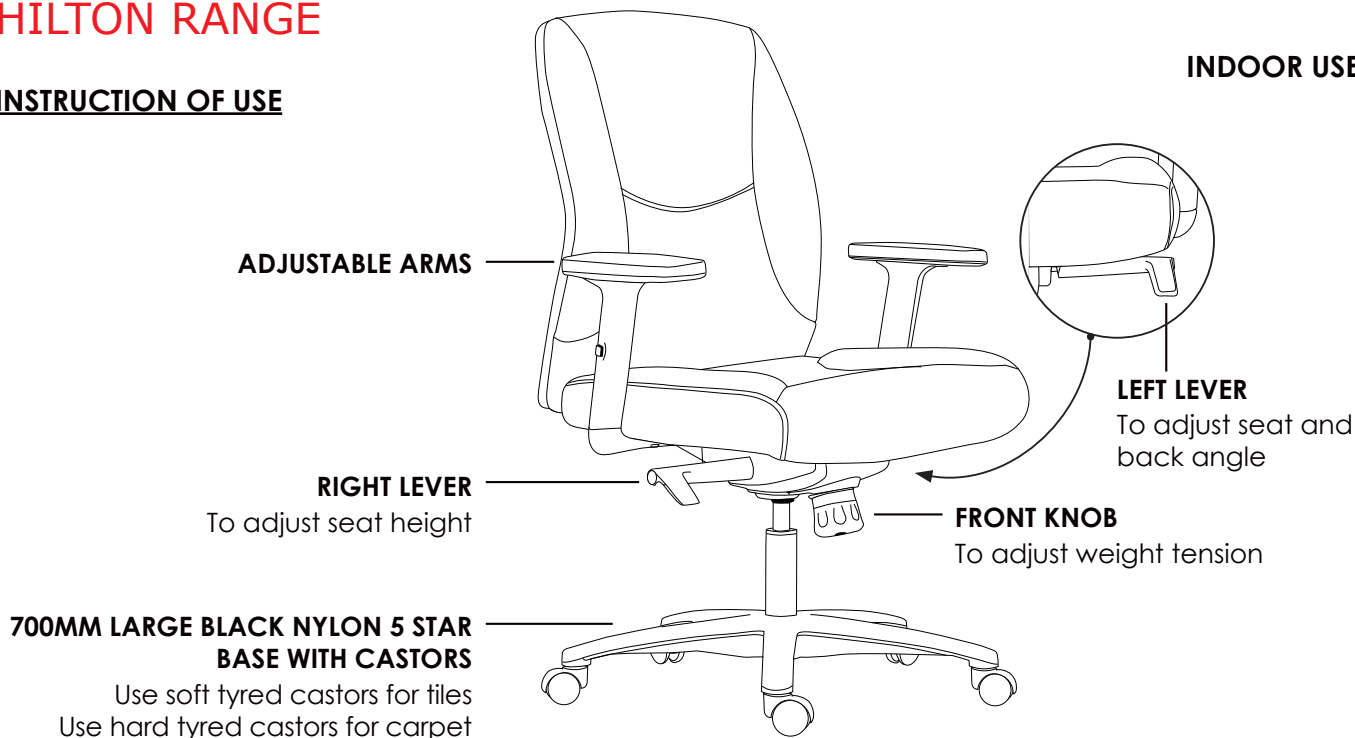
- 2-Way adjustable arms
- Synchron mechanism with 3 locking positions
- 700mm aluminium 5 star base
- Available in black only
- BIFMA tested
- Suitable for indoor use only



HILTON RANGE

INSTRUCTION OF USE

INDOOR USE ONLY



X Do not use as a step ladder

DIMENSIONS: (mm)

LOW BACK **BACK TO FLOOR**
W: 420 Lowest: 980
H: 500 Highest: 1070

HIGH BACK **BACK TO FLOOR**
W: 420 Lowest: 1110
H: 660 Highest: 1200

SEAT **SEAT TO FLOOR**
W: 510 Lowest: 480
D: 510 Highest: 570

ARM TO FLOOR
Lowest: 660
Highest: 830



HILTON-H



HILTON-L



HILTON-VC

Black metal frame
Available in black PU only
Suitable for indoor use only

Features:

Adjustable seat height
Adjustable seat and back angle
Adjustable weight tension

Adjustable arms
Synchron mechanism with 3 locking positions
700mm large black nylon 5 star base

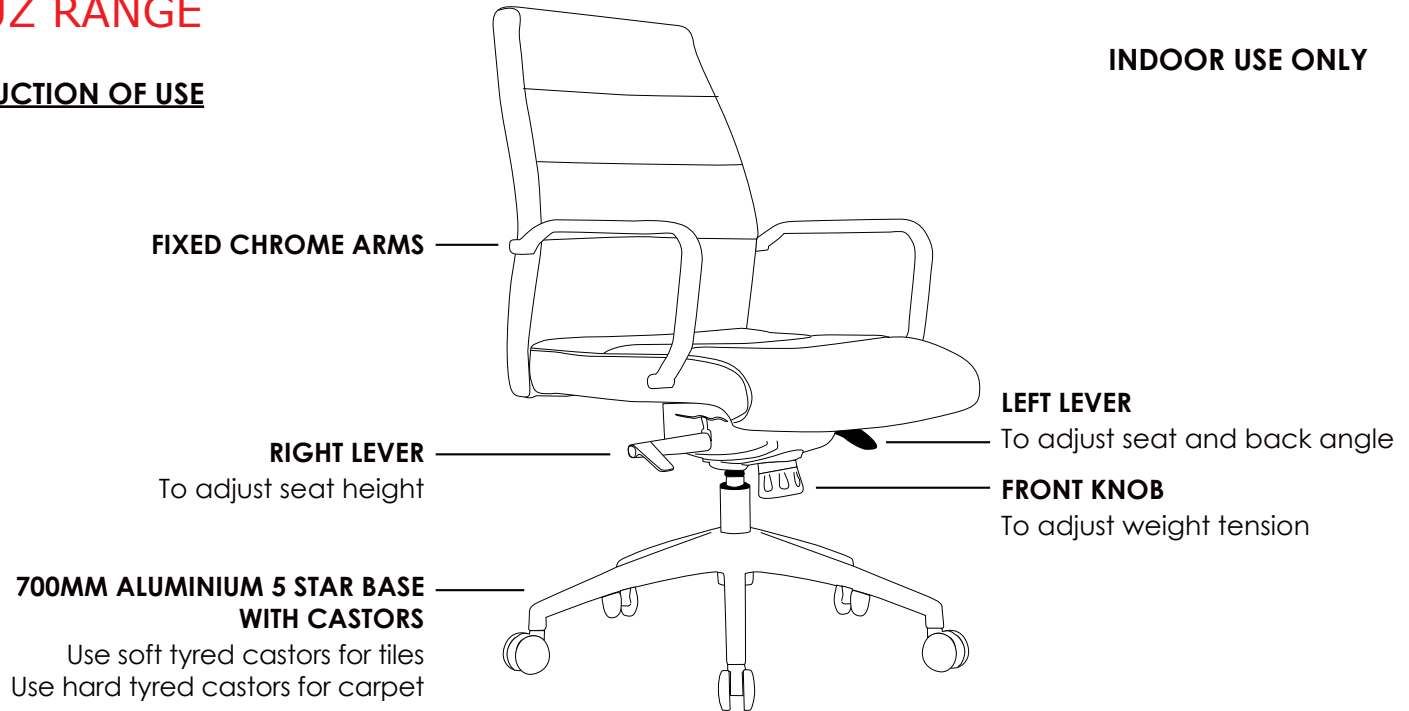
Available in black PU only
Suitable for indoor use



CRUZ RANGE

INSTRUCTION OF USE

INDOOR USE ONLY



X Do not use as a step ladder

DIMENSIONS: (mm)

LOW BACK **BACK TO FLOOR**
W: 560 Lowest: 980
H: 515 Highest: 1055

HIGH BACK **BACK TO FLOOR**
W: 560 Lowest: 1150
H: 680 Highest: 1225

SEAT **SEAT TO FLOOR**
W: 520 Lowest: 485
D: 560 Highest: 560

ARM TO FLOOR
Lowest: 680
Highest: 755



CRUZ-H



CRUZ-L



Back view

Features:

Adjustable seat height
Adjustable seat and back angle
Adjustable weight tension

Fixed chrome arms
Knee tilt mechanism with 3 locking positions
700mm aluminium 5 star base

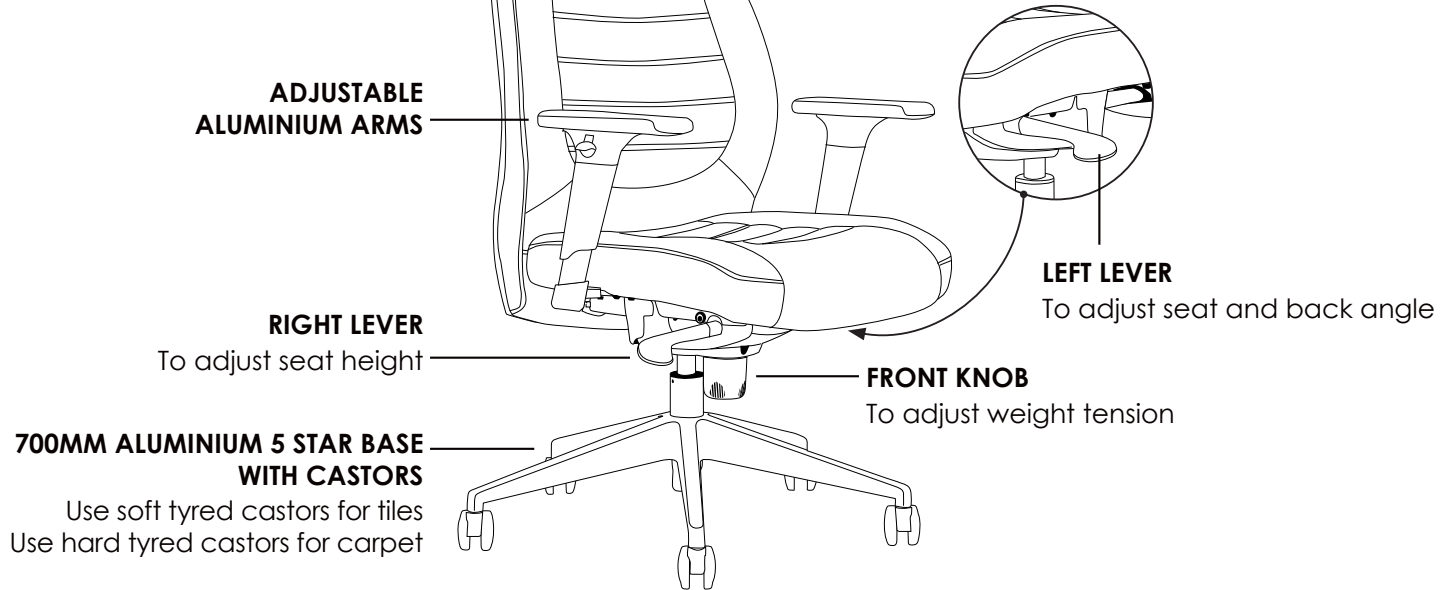
Available in black PU only
Suitable for indoor use only



BOSTON RANGE

INSTRUCTION OF USE

INDOOR USE ONLY



X Do not use as a step ladder

DIMENSIONS: (mm)

LOW BACK **BACK TO FLOOR**
W: 480 Lowest: 1025
H: 580 Highest: 1085

HIGH BACK **BACK TO FLOOR**
W: 500 Lowest: 1170
H: 720 Highest: 1230

SEAT **SEAT TO FLOOR**
W: 510 Lowest: 455
D: 520 Highest: 515

ARM TO FLOOR
Lowest: 640
Highest: 770



BOSTON-H



BOSTON-L



BOSTON-VC

Chrome frame
High density foam
Available in black PU only
Suitable for indoor use only

Features:

Adjustable seat height
Adjustable seat and back angle
Adjustable weight tension
Adjustable aluminium arms

High density foam
Synchron mechanism with 3 locking positions
700mm aluminium 5 star base

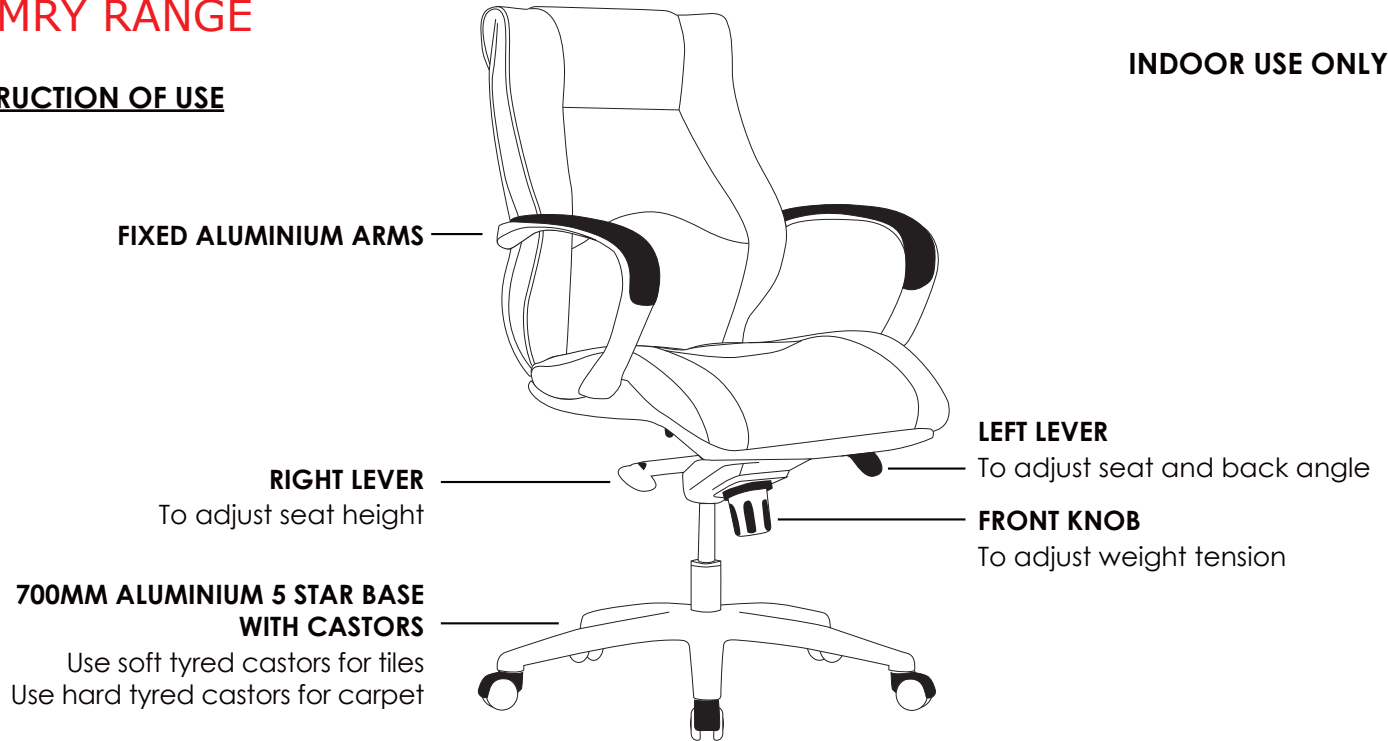
Available in black PU only
Suitable for indoor use only



CAMRY RANGE

INSTRUCTION OF USE

INDOOR USE ONLY



X Do not use as a step ladder

DIMENSIONS: (mm)

LOW BACK **BACK TO FLOOR**
W: 500 Lowest: 1045
H: 570 Highest: 1125

HIGH BACK **BACK TO FLOOR**
W: 500 Lowest: 1190
H: 730 Highest: 1270

SEAT **SEAT TO FLOOR**
W: 510 Lowest: 510
D: 530 Highest: 590

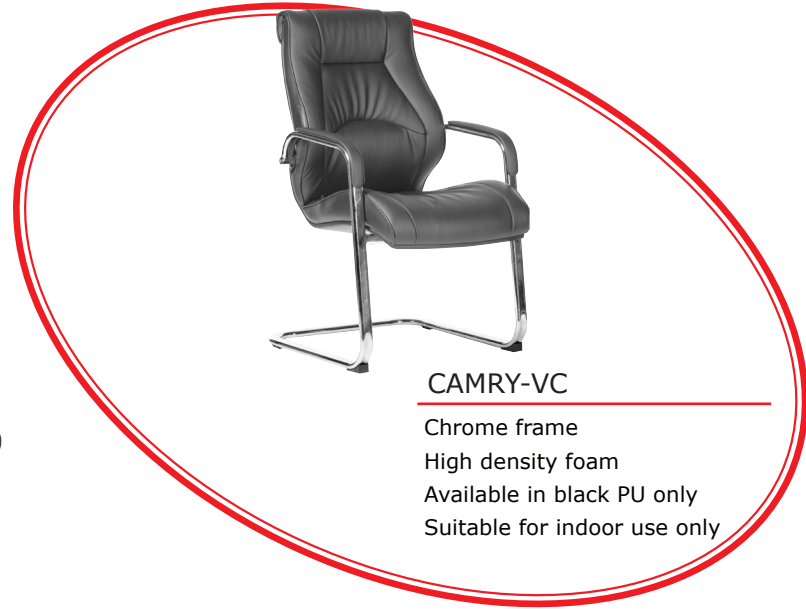
ARM TO FLOOR
Lowest: 710
Highest: 790



CAMRY-H



CAMRY-L



CAMRY-VC

Chrome frame
High density foam
Available in black PU only
Suitable for indoor use only

Features:

Adjustable seat height
Adjustable seat and back angle
Adjustable weight tension
Fixed aluminium arms

High density foam
Knee tilt mechanism with 3 locking positions
700mm aluminium 5 star base

Available in black PU only
Suitable for indoor use only



SIENA RANGE

INSTRUCTION OF USE

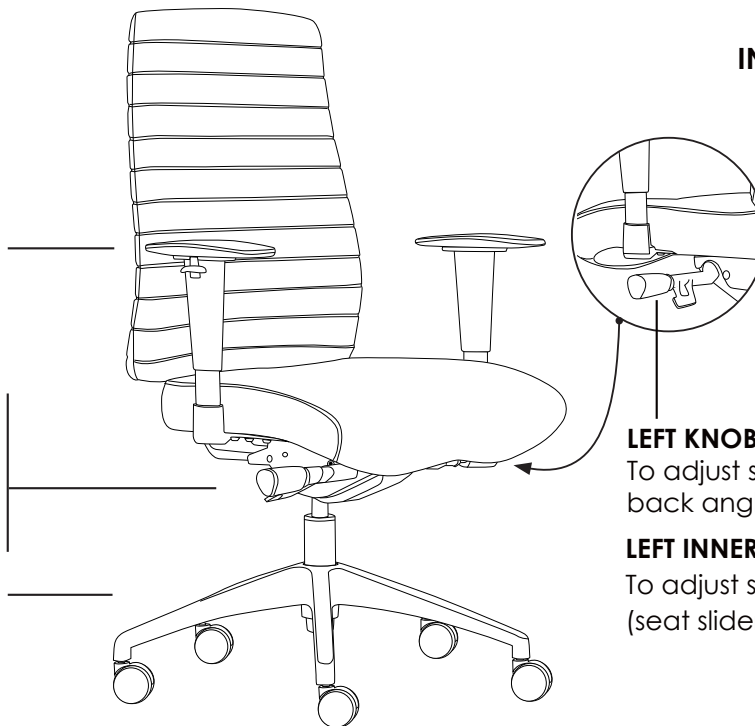
INDOOR USE ONLY

ADJUSTABLE ARMS

RIGHT KNOB
To adjust weight tension

INNER RIGHT LEVER
To adjust seat height

**700MM BLACK ALUMINIUM
5 STAR BASE WITH CASTORS**
Use soft tyred castors for tiles
Use hard tyred castors for carpet



LEFT KNOB
To adjust seat and
back angle

LEFT INNER LEVER
To adjust seat depth
(seat slider)

X Do not use as a step ladder

DIMENSIONS: (mm)

**LOW
BACK** **BACK TO FLOOR**
W: 460 Lowest: 995
H: 550 Highest: 1095

**HIGH
BACK** **BACK TO FLOOR**
W: 460 Lowest: 1130
H: 685 Highest: 1230

SEAT **SEAT TO FLOOR**
W: 510 Lowest: 480
D: 490 Highest: 580

ARM TO FLOOR
Lowest: 650
Highest: 840



SIENA-H



SIENA-L



Back view



Features:

Adjustable seat height
Adjustable seat and back angle
Adjustable seat depth (seat slider)
Adjustable weight tension
Adjustable arm

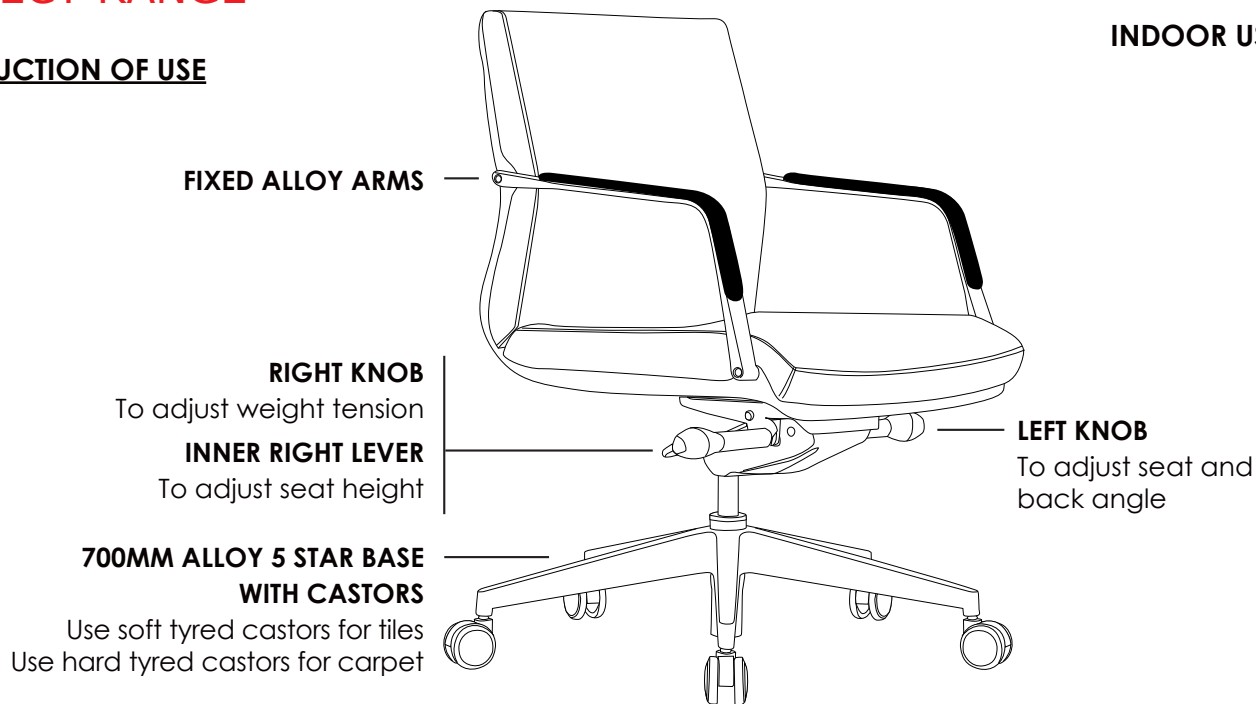
Saddle seat
Ribbed back
Synchron mechanism with 3 locking positions
700mm black aluminium 5 star base

Available in black PU only
Suitable for indoor use only

SELECT RANGE

INSTRUCTION OF USE

INDOOR USE ONLY



X Do not use as a step ladder

DIMENSIONS: (mm)

LOW BACK **BACK TO FLOOR**
W: 470 Lowest: 910
H: 500 Highest: 990

HIGH BACK **BACK TO FLOOR**
W: 470 Lowest: 1080
H: 670 Highest: 1160

SEAT **SEAT TO FLOOR**
W: 500 Lowest: 450
D: 500 Highest: 530

ARM TO FLOOR
Lowest: 650
Highest: 730



SELECT-H



SELECT-L



Back view



Features:

Adjustable seat height
Adjustable seat and back angle
Adjustable weight tension

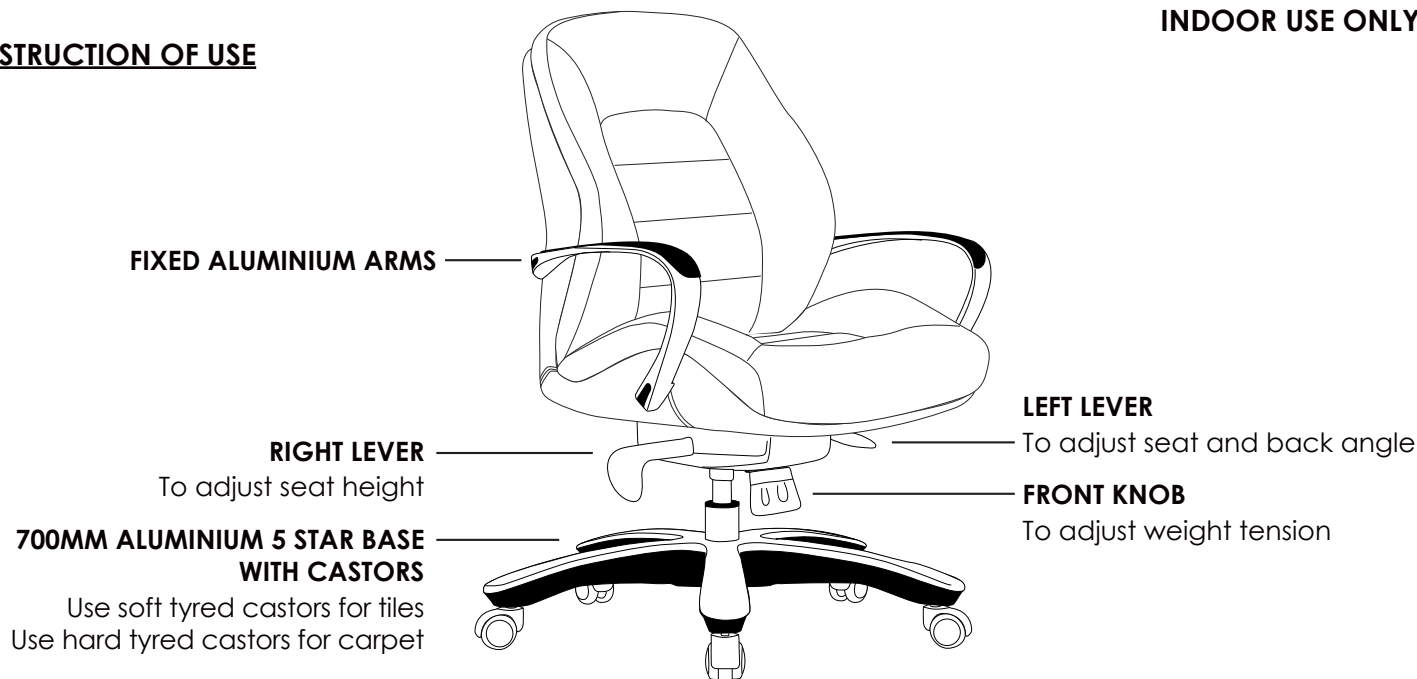
Fixed alloy arms
Knee tilt mechanism with 4 locking positions
700mm alloy 5 star base

Available in leather only
Suitable for indoor use only

MAGNUM RANGE

INDOOR USE ONLY

INSTRUCTION OF USE



X Do not use as a step ladder

DIMENSIONS: (mm)

LOW BACK **BACK TO FLOOR**
W: 560 Lowest: 1000
H: 565 Highest: 1070

HIGH BACK **BACK TO FLOOR**
W: 560 Lowest: 1210
H: 800 Highest: 1275

SEAT **SEAT TO FLOOR**
W: 550 Lowest: 450
D: 500 Highest: 510

ARM TO FLOOR
Lowest: 660
Highest: 730



MAGNUM-H



MAGNUM-L



Back view

Features:

Adjustable seat height
Adjustable seat and back angle
Adjustable weight tension
Fixed aluminium arms

Moulded seat and back foam
Knee tilt mechanism with 3 locking positions
700mm aluminium 5 star base
Extremely comfortable

Available in black leather only
Suitable for indoor use only



CAPTAIN RANGE

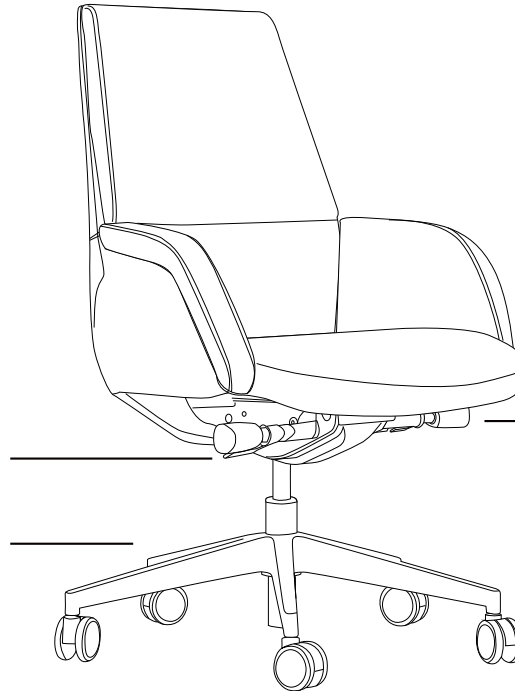
INSTRUCTION OF USE

INDOOR USE ONLY

RIGHT INNER LEVER
To adjust seat height

RIGHT KNOB
To adjust weight tension

700MM ALUMINIUM 5 STAR BASE WITH CASTORS
Use soft tyred castors for tiles
Use hard tyred castors for carpet



LEFT KNOB
To adjust seat and back angle

LEFT INNER LEVER
To adjust seat depth
(Seat slider)

X Do not use as a step ladder

DIMENSIONS: (mm)

LOW BACK BACK TO FLOOR
W: 550 Lowest: 970
H: 510 Highest: 1030

HIGH BACK BACK TO FLOOR
W: 550 Lowest: 1150
H: 700 Highest: 1210

SEAT SEAT TO FLOOR
W: 570 Lowest: 470
D: 510 Highest: 530

ARM TO FLOOR
Lowest: 640
Highest: 700



CAPTAIN-H



CAPTAIN-L



Back view

Features:

Adjustable seat height
Adjustable seat and back angle
Adjustable weight tension

Adjustable seat depth (seat slider)
Synchron mechanism with 3 locking positions
700mm aluminium 5 star base

Extremely comfortable
Available in black leather only
Suitable for indoor use only

WARRANTY 5 Year	WEIGHT LIMIT 130 Kilogram	IMPORTED 
------------------------------	--	---

FOCUS RANGE



FOC-1



FOC-1A

DIMENSIONS: (mm)

BACK

W: 490
H: 435

SEAT

W: 465
D: 440

OVERALL

H: 840
D: 550
W: 525

ARM WIDTH

Inner: 510
Outer: 610

TABLET ARM

W: 610
D: 660

ARM TO FLOOR

H: 680

TABLET ARM TO FLOOR

H: 745
Flip up: 1010



FOC-1TR



FOC-1TL



Features:

Multi purpose stackable client chair
Not stackable with tablet arms
Optional black metal trolley
Linkable except with arms or tablet arm

Fully strengthened plastic back shell
Fully welded frame
BIFMA drop tested

Available in black only
Suitable for indoor use only
Do not use as a step ladder



ARIA RANGE



ARIA



ARIA-A



ARIA-T

DIMENSIONS: (mm)

BACK	SEAT	OVERALL	ARM WIDTH	ARM TO FLOOR	TABLET ARM	TABLET ARM TO FLOOR
W: 475	W: 475	H: 850	Inner: 525	H: 655	W: 380	H: 735
H: 395	D: 470	D: 515	Outer: 600		D: 270	
		W: 620				

Features:

Stackable
 Not stackable with arms or tablet arm
 Optional black metal trolley

Linkable without arms or tablet arm
 Metal frame
 Available in black only

Suitable for indoor use only
 Do not use as a step ladder

POD RANGE

WARRANTY
4
 Year

WEIGHT LIMIT
120
 Kilogram

IMPORTED



POD-SB



POD-SBA



POD-SBT

Trolley available



DIMENSIONS: (mm)

BACK	SEAT	OVERALL	ARM WIDTH	ARM TO FLOOR	TABLET ARM	TABLET ARM TO FLOOR
W: 420	W: 425	H: 830	Inner: 440	H: 670	W: 380	H: 710
H: 380	D: 400	D: 530	Outer: 540		D: 280	Flip up: 990
		W: 480				

Features:

Stackable
 Not stackable with arm or tablet arm
 Optional black metal trolley

Linkable except with arms or tablet arm
 Plastic under pan
 Available in black only

Suitable for indoor use only
 Do not use as a step ladder

VINN RANGE



VINN-B



VINN-BA



VINN-BT

DIMENSIONS: (mm)

BACK	SEAT	OVERALL
W: 435	W: 455	H: 830
H: 390	D: 435	D: 545
		W: 530

ARM WIDTH	ARM TO FLOOR
Inner: 485	H: 665
Outer: 570	

TABLET ARM	TABLET ARM TO FLOOR
W: 380	H: 695
D: 290	Flip up: 900



VINN-MB



VINN-MBA



VINN-MBT



Trolley available

Features:

Stackable
Not stackable with tablet arms
Optional black metal trolley

Linkable except with arms or tablet arm
Plastic under pan
Solid steel sled base frame

Available in black only
Suitable for indoor use only
Do not use as a step ladder

WARRANTY 4 Year	WEIGHT LIMIT 120 Kilogram	IMPORTED 
------------------------------	--	---

NEO RANGE



NEO



Side view



Back view



Features:

Stackable
Square tube
Mesh back
Padded seat

Black metal frame
Available in black only
Suitable for indoor use only
Do not use as a step ladder

DIMENSIONS: (mm)

BACK	SEAT	SEAT TO FLOOR	OVERALL
W: 450	W: 415	H: 450	H: 830
H: 400	D: 450		D: 500
			W: 440

ROSE RANGE



ROSE



Side view



Back view

Features:

Soft padding
Polyurethane arm pads
Chrome finish
Fully welded frame

Available in black PU only
Suitable for indoor use only
Do not use as a step ladder



DIMENSIONS: (mm)

BACK	SEAT	SEAT TO FLOOR	ARM TO FLOOR	OVERALL
W: 470	W: 500	H: 500	H: 700	H: 940
H: 470	D: 450			D: 550
				W: 570

RAVEN RANGE



RAVEN-C



Side view



Back view

Features:

Fully upholstered
High density foam
Sled base chrome frame
Plywood shell

Available in Segra charcoal only
Suitable for indoor use only
Do not use as a step ladder



DIMENSIONS: (mm)

BACK	SEAT	SEAT TO FLOOR	OVERALL
W: 450	W: 470	H: 455	H: 855
H: 400	D: 410		D: 500
			W: 590

MIA RANGE



MIA



MIA-A



MIA-A
Side view

Features:

Fully upholstered
High density foam
Sled black frame
Plywood shell

Available in black PU only
Suitable for indoor use only
Do not use as a step ladder



DIMENSIONS: (mm)

BACK	SEAT	SEAT TO FLOOR	OVERALL
W: 470	W: 440	H: 485	H: 855
H: 415	D: 480		D: 550
			W: 575

TONIC RANGE



TONIC-C



Side view



Back view

Features:

Fully upholstered
High density seat foam
Moulded back foam
Solid rod Sled base chrome frame

Available in Segal charcoal only
Suitable for indoor use only
Do not use as a step ladder

DIMENSIONS: (mm)

SHELL	SEAT	SEAT TO FLOOR	OVERALL
W: 640	W: 475	H: 450	H: 755
H: 390	D: 490		D: 500
			W: 590



OSCAR RANGE



OSCAR-C



Side view



Back view

Features:

High density foam
Sled base chrome frame
Plywood shell

Available in Segra charcoal only
Suitable for indoor use only
Do not use as a step ladder



DIMENSIONS: (mm)

SHELL	SEAT	SEAT TO FLOOR	OVERALL
W: 650	W: 580	H: 500	H: 820
H: 400	D: 450		D: 500
			W: 590

RAM RANGE



RAM



Front view



Back view

Features:

Fully upholstered
High density foam
Plywood structure

Available in black PU only
Suitable for indoor use only
Do not use as a step ladder



DIMENSIONS: (mm)

OVERALL	SEAT	SEAT TO FLOOR
H: 690	W: 500	H: 370
D: 740	D: 500	
W: 760		

NOX RANGE



NOX



Front view



Back view

Features:

Fully upholstered
High density foam
Plywood structure

Available in black PU only
Suitable for indoor use only
Do not use as a step ladder

DIMENSIONS: (mm)

OVERALL
H: 665
D: 735
W: 730

SEAT
W: 500
D: 500

SEAT TO FLOOR
H: 325



BLITZ RANGE



BLITZ-B



Side view



Back view

Features:

High density foam
Zig zag steel spring
Plywood frame
Chrome feet

Available in black PU
Suitable for indoor use only
Do not use as a step ladder



DIMENSIONS: (mm)

BACK	SEAT	SEAT TO FLOOR	OVERALL
W: 600	W: 610	H: 410	H: 750
H: 350	D: 525		D: 750
			W: 560

RIVET RANGE



RIVET-1



Front view



Back view

Features:

High density foam
Stainless steel frame
Solid timber inner frame

Available in black PU only
Suitable for indoor use only
Do not use as a step ladder

DIMENSIONS: (mm)

RIVET-1

W: 650mm
H: 810mm
D: 690mm

ARM TO FLOOR

630mm

SEAT TO FLOOR

435mm



JADEN RANGE

WEIGHT LIMIT
260
Kilogram



JADEN-2

WEIGHT LIMIT
130
Kilogram



JADEN-1



Back view

WARRANTY
5
Year

WEIGHT LIMIT
130
Kilogram

WEIGHT LIMIT
260
Kilogram



Features:

High density foam
Stainless steel frame
Solid timber inner frame

Available in black PU only
Suitable for indoor use only
Do not use as a step ladder

DIMENSIONS: (mm)

JADEN-1

W: 730mm
H: 810mm
D: 730mm

JADEN-2

W: 1390mm
H: 810mm
D: 730mm

ARM TO FLOOR

630mm

SEAT TO FLOOR

450mm

PLAZA RANGE

WEIGHT LIMIT
390
Kilogram



PL-3

WEIGHT LIMIT
260
Kilogram



PL-2

WEIGHT LIMIT
130
Kilogram



PL-1



Features:

Pocket spring seat
Loose cushions upholstered both sides
Zig zag steel spring
Webbed base
Solid hardwood frame

Stainless steel feet
Available in black PU only
Suitable for indoor use only

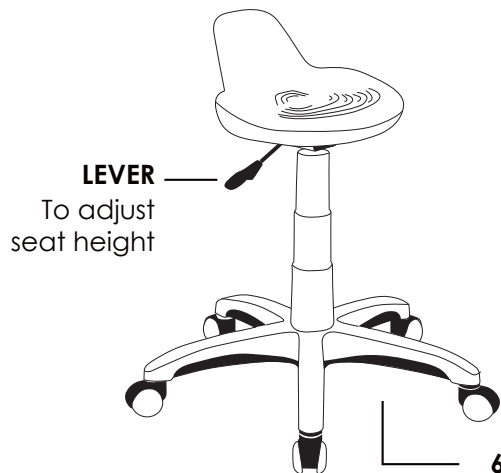
DIMENSIONS: (mm)

PL-1	PL-2	PL-3	ARM TO FLOOR
W: 835mm	W: 1400mm	W: 1970mm	655mm
H: 740mm	H: 740mm	H: 740mm	SEAT TO FLOOR
D: 790mm	D: 790mm	D: 790mm	475mm

STATE RANGE

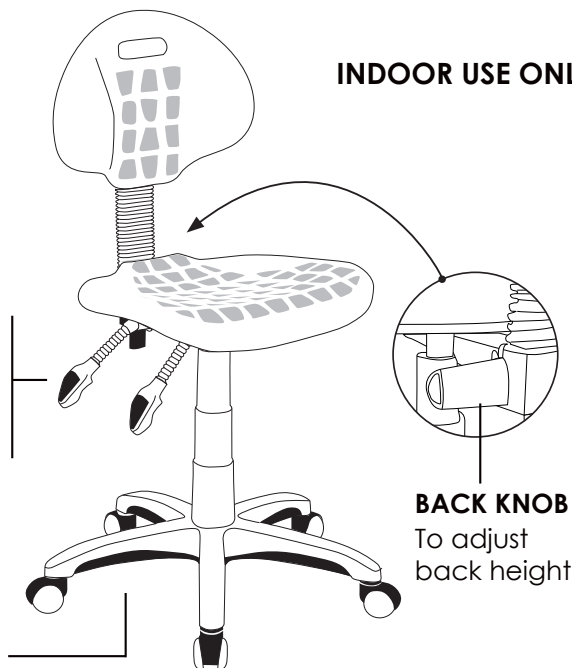
INSTRUCTION OF USE

INDOOR USE ONLY



BACK LEVER
To adjust back angle

FRONT LEVER
To adjust seat height



**600MM BLACK NYLON
5 STAR BASE WITH CASTORS**
Keep a permanent contact
between base of chair and floor

X Do not use as a step ladder

DIMENSIONS: (mm)

ST001
SEAT **SEAT TO FLOOR** **BACK TO FLOOR**
Dl: 330 Lowest: 415 Lowest: 550
 Highest: 555 Highest: 690

ST007
SEAT **SEAT TO FLOOR**
W: 460 Lowest: 440
D: 410 Highest: 580

ST007
BACK **BACK TO FLOOR**
W: 405 Lowest: 710
H: 310 Highest: 990

ST008
SEAT **SEAT TO FLOOR**
Dl: 340 Lowest: 410
 Highest: 550



ST001



ST007



ST008

Features:

Adjustable seat height
Adjustable back height (ST007 only)
Adjustable seat angle (ST007 only)
Optional glides or brake castors

600mm black nylon 5 star base
Available in black only
Suitable for indoor use only
Do not use as a step ladder



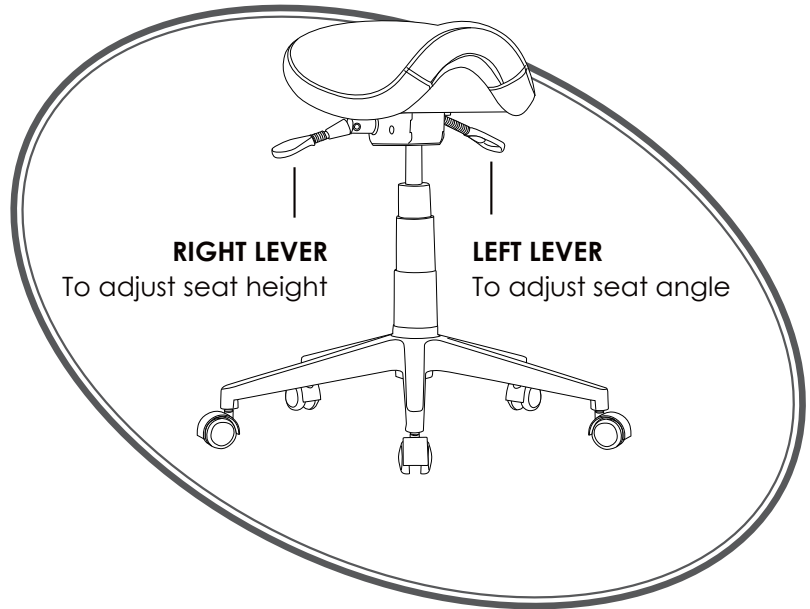
Optional drafting kit

CAD RANGE

INSTRUCTION OF USE



CAD



Features:

- Adjustable seat height
- Adjustable seat angle
- Optional glides or brake castors
- Saddle seat

- 640mm black nylon 5 star base
- Available in black PU only
- Do not use as a step ladder



Optional drafting kit

WARRANTY 5 Year	WEIGHT LIMIT 120 Kilogram	IMPORTED 
-------------------------------------	---	--

DIMENSIONS: (mm)

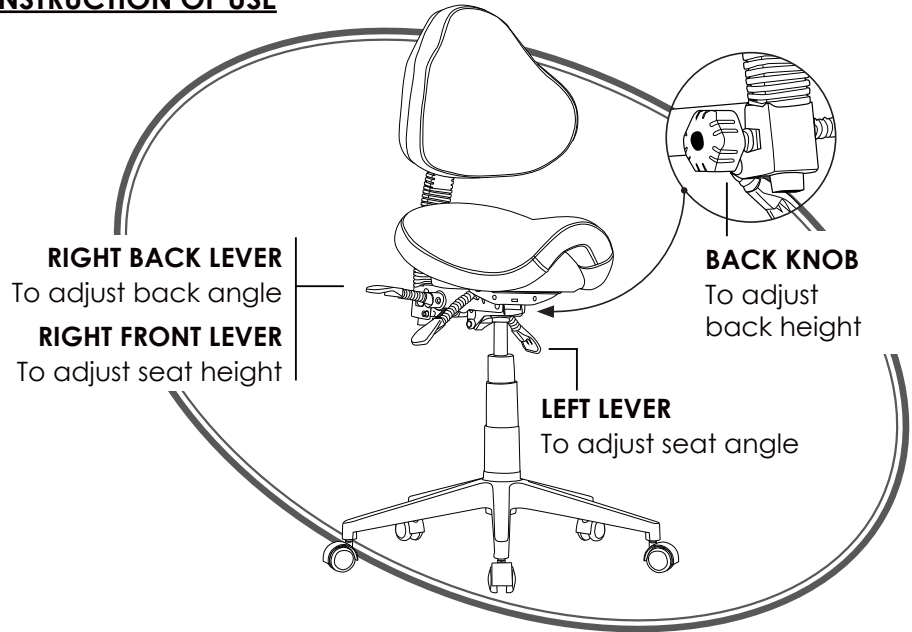
SEAT	SEAT TO FLOOR
W: 390	Lowest: 530
D: 410	Highest: 640

STAGE RANGE



STAGE

INSTRUCTION OF USE



Features:

- Adjustable seat height
- Adjustable back height
- Adjustable seat and back angle
- Optional glides or brake castors

- Saddle seat
- 640mm black nylon 5 star base
- Available in black PU only
- Do not use as a step ladder



Optional drafting kit

WARRANTY 5 Year	WEIGHT LIMIT 120 Kilogram	IMPORTED
-------------------------------------	---	---------------------

DIMENSIONS: (mm)

BACK W: 430 H: 340	BACK TO FLOOR Lowest: 875 Highest: 985
SEAT W: 390 D: 410	SEAT TO FLOOR Lowest: 530 Highest: 640

Style Xpress is a division of Style Ergonomics Australia Pty Ltd, all products offered under this new marketing entity will be stocked in all four Style warehouses (NSW, VIC, QLD, WA). The Style Xpress range will include products from the current core range and also new ranges that Style had developed to suit our local market.

The Style Xpress range will be delivered to dealer warehouses in Metro areas in each city and to transport companies within 2-4 working days, customers will have the option of assembled or boxed at no charge. Naturally, this focus on an express Style range is designed with the intention to cater to your time sensitive clients and those products are available for express delivery on demand. A drop ship programme will also be introduced, details will be sent separately.

The Style Xpress brand will have a printed brochure, printed price list, electronic copies, electronic marketing materials, an online brochure and a dedicated web site (www.stylexpress.com.au).

Processing of orders, correspondence and invoicing will remain the same as always, through Style Ergonomics Australia Pty Ltd. Style Xpress is purely a marketing entity.

NSW BRANCH

A: 83-85 Percival Road,
Smithfield 2164



VIC BRANCH

A: 21-23 Edison Rd,
Dandenong South 3175



QLD BRANCH

A: 3 Aliciajay Circuit,
Luscombe 4207



WA BRANCH

A: 22 Da Vinci Way,
Forrestdale 6112

