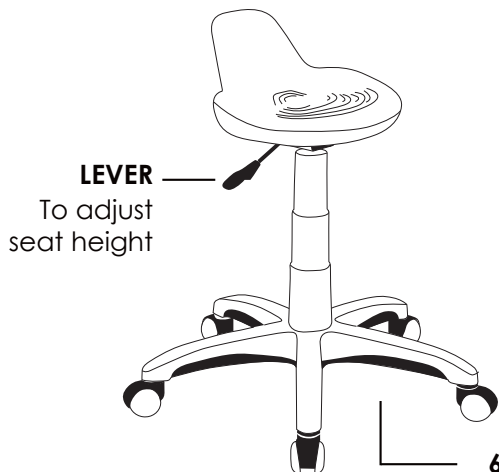


# STATE RANGE

## INSTRUCTION OF USE

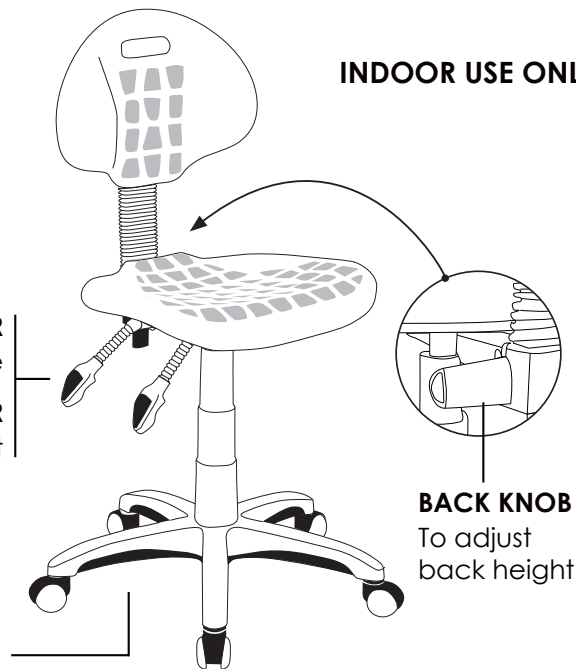
**INDOOR USE ONLY**



**BACK LEVER**  
To adjust back angle

**FRONT LEVER**  
To adjust seat height

A line drawing of the chair from a side-front perspective. Two levers are shown: one on the back of the seat base and one on the front. Lines point to them from the labels 'BACK LEVER' and 'FRONT LEVER' respectively.



**600MM BLACK NYLON  
5 STAR BASE WITH CASTORS**  
Keep a permanent contact  
between base of chair and floor

**X Do not use as a step ladder**

## DIMENSIONS: (mm)

<b>ST001</b>	<b>SEAT</b>	<b>SEAT TO FLOOR</b>	<b>BACK TO FLOOR</b>
DI: 330		Lowest: 415 Highest: 555	Lowest: 550 Highest: 690

<b>ST007</b>	<b>SEAT</b>	<b>SEAT TO FLOOR</b>
W: 460 D: 410		Lowest: 440 Highest: 580

<b>ST007</b>	<b>BACK</b>	<b>BACK TO FLOOR</b>
W: 405 H: 310		Lowest: 710 Highest: 990

<b>ST008</b>	<b>SEAT</b>	<b>SEAT TO FLOOR</b>
DI: 340		Lowest: 410 Highest: 550



ST001



ST007



ST008

Features:

Adjustable seat height  
Adjustable back height (ST007 only)  
Adjustable seat angle (ST007 only)  
Optional glides or brake castors

600mm black nylon 5 star base  
Available in black only  
Suitable for indoor use only  
Do not use as a step ladder



Optional drafting kit