

# PROFILE RANGE

## INSTRUCTION OF USE

To adjust back height hold back with two hands while seated and raise to desired height

To lower the back height raise back all the way to the top and release slowly

### **RIGHT BACK LEVER**

To adjust back angle

### **RIGHT MIDDLE LEVER**

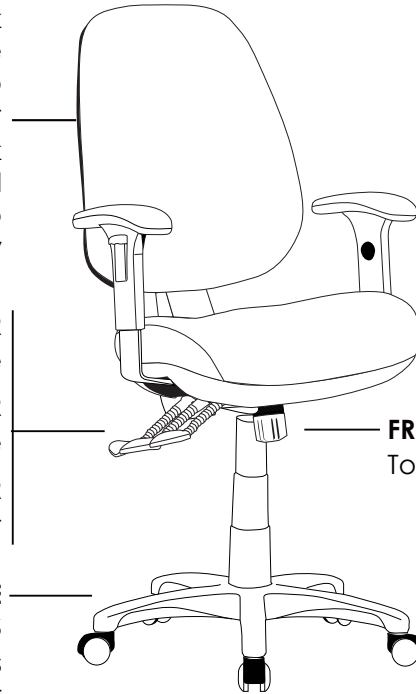
To adjust seat angle

### **RIGHT FRONT LEVER**

To adjust seat height

### **700MM BLACK NYLON 5 STAR BASE WITH CASTORS**

Use soft tyred castors for tiles  
Use hard tyred castors for carpet



**INDOOR USE ONLY**

**OPTIONAL  
ADJUSTABLE ARMS**

**FRONT KNOB**  
To adjust weight tension

**X** Do not use as a step ladder

## DIMENSIONS: (mm)

### **BACK**

W: 490

H: 580

### **BACK TO FLOOR**

Lowest: 1025

Highest: 1175

### **SEAT**

W: 530

D: 480

### **SEAT TO FLOOR**

Lowest: 525

Highest: 605

### **ARM TO FLOOR**

Lowest: 670

Highest: 815

Fabric: Chelsea crocus



PR600



PR600C



back view

Optional:



Drafting kit

## Features:

Adjustable seat height  
Adjustable back height (ratchet)  
Adjustable seat and back angle  
Adjustable weight tension

Moulded seat and back foam  
Big boy seat  
3 lever heavy duty ergonomic mechanism  
700mm black nylon 5 star base



Available in local fabrics  
AFRDI tested to level 6  
Suitable for indoor use only