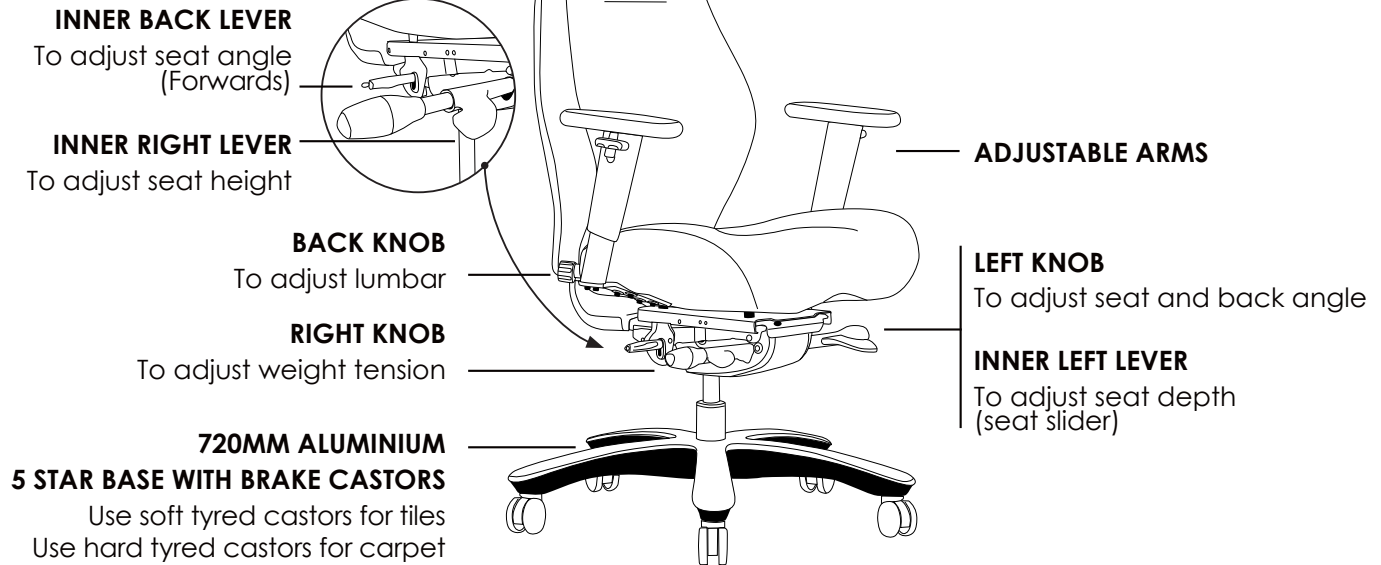


CONTROL RANGE

INDOOR USE ONLY

INSTRUCTION OF USE



X Do not use as a step ladder

DIMENSIONS: (mm)

BACK	BACK TO FLOOR	HEADREST	HEADREST TO FLOOR	SEAT	SEAT TO FLOOR	ARM TO FLOOR
W: 475	Lowest: 1060	W: 260	Lowest: 1240	W: 540	Lowest: 505	Lowest: 675
H: 615	Highest: 1180	H: 180	Highest: 1360	D: 490	Highest: 625	Highest: 875



CONTROL-H



CONTROL-L



back view

** Please note that the Headrest should not be used to manoeuvre the chair.*

Features:

- Adjustable seat height
- Adjustable seat and back angle
- Foward seat tilt adjustment
- Adjustable seat depth (seat slider)
- Adjustable weight tension

- Adjustable lumbar support
- Adjustable arms
- Moulded seat and back foam
- Saddle seat
- Synchron mechanism with 3 locking positions

- 720mm aluminium 5 star base
- Brake castors
- Available in local fabrics
- AFRDI tested to level 6
- Suitable for indoor use only

WARRANTY 7 Year

WEIGHT LIMIT 200 Kilogram

UPHOLSTERED IN AUSTRALIA

AFRDI MEMBER

furnitech Australian Furniture Research & Development Institute

AFRDI 142 Certification 160KG MULTI SHIFT USE